

Company: _____

Ship To: _____

Account Number: _____ Date: _____

Address: _____

Quote PO Number: _____

City: _____ State: _____

RTS: _____

Zip: _____ Phone: _____

Marked For: _____

Email/Fax: _____

Select if chair quote has: Additional Ki Products with Different Quote/Order Number **Quote/Order Number:** _____

Rogue2 K0005, E1235 **£2796**
Rogue Standard Frame. 275 lb weight capacity.

Effective 17/10/2022

Frame

Seat Width

See reference A on page 7

- 12" [RGSWT012] £0
- 13" [RGSWT013] £0
- 14" [RGSWT014] £0
- 15" [RGSWT015] £0
- 16" [RGSWT016] £0
- 17" [RGSWT017] £0
- 18" [RGSWT018] £0
- 19" [RGSWT019] £0
- 20" [RGSWT020] £290

Seat Depth

See reference B on page 7

- 14" [RGSDE014] £0
- 15" [RGSDE015] £0
- 16" [RGSDE016] £0
- 17" [RGSDE017] £0
- 18" [RGSDE018] £0
- 19" [RGSDE019] £0
- 20" [RGSDE020] £290

Transit

- Transit System [RGTRNOPT] £150
Cannot be retrofitted. Required Expanded Width Caster Position.
- Omit Transit [RGTRNOP2] £0

Backrest

Back Post / Height Range / Back Height

Back Post	Price	Height Range	Back Height				
Height Adjustable	£0	<input type="checkbox"/> Short [RGBOP025]	<input type="checkbox"/> 11 ²	<input type="checkbox"/> 12	<input type="checkbox"/> 13	<input type="checkbox"/> 14	
		<input type="checkbox"/> Medium [RGBOP026]	<input type="checkbox"/> 13	<input type="checkbox"/> 14	<input type="checkbox"/> 15	<input type="checkbox"/> 16	<input type="checkbox"/> 17
		<input type="checkbox"/> Tall [RGBOP027]	<input type="checkbox"/> 17	<input type="checkbox"/> 18	<input type="checkbox"/> 19	<input type="checkbox"/> 20	
Fixed Height ¹	£0	<input type="checkbox"/> Fixed [RGBOP011]	<input type="checkbox"/> 9 ²	<input type="checkbox"/> 10 ²	<input type="checkbox"/> 11 ²	<input type="checkbox"/> 12	<input type="checkbox"/> 13
			<input type="checkbox"/> 14	<input type="checkbox"/> 15	<input type="checkbox"/> 16	<input type="checkbox"/> 17	<input type="checkbox"/> 18

¹ Not available with back upholstery

² Not available with Fold Down Push Handle

Adjustable Depth

Adds the capability to grow seat in depth

- No Rear Adjustment [RGAD05] £0
- 1/2" [RGAD06] £0
- 1" [RGAD01] £100
- 2" [RGAD02] £100

Sling Position

In Performance Position (0"), sling is at front of frame. The 1" or 2" sling position extends the frame in front of the sling by that amount. See reference C on page 7.

- 0" (Performance) [RGSP01] £0
- 1" [RGSP03] £0
- 2" (Classic) [RGSP02] £0

Seat Option

- Standard Seat Sling [RGSS001] Std
- Solid Seat Pan [RGSS004] £250

Front Frame Bend

Angle between front seat tube and ground. See reference D on page 7.

- 90° [RGFA01] £0
- 85° [RGFA03] £0
- 80° [RGFA02] £0
- 75° [RGFA04] £150
- 70° [RGFA05] £150

Push Handle

- Omit Push Handle [RGBCK008] £0
- Standard Push Handle [RGBCK004] £0
- Low Profile Push Handle [RGBCK007] £150
2" shorter than standard push handles
- Bolt-On Push Handle [RGBCK005] £160
Handles will be 1" - 2" above back height
- Fold Down Push Handle [RGBCK006] £150

Stroller Handle

Stroller Handles are removable and height adjustable

- Single Stroller Handle [RGBOP007] £160
- Double Stroller Handle [RGBOP006] £200
Not available with Push Handles

Backrest continued

Rigidizer Bar

- Adjustable Height Rigidizer Bar [RGBCK001] _____ £0
Not Available with Fixed Height Back Post
- Non-Adjustable Height Rigidizer Bar [RGBCK010] _____ £0

Seat Back Angle

Standard is 90° (perpendicular to floor). Minus (-°) closes back angle. Plus (+°) opens back angle.

- Standard [RGSBA001] +3° [RGSBA002] +6° [RGSBA003]
- +9° [RGSBA004] -3° [10SBA005] -6° [RGSBA006]
- 9° [RGSBA007] -12° [RGSBA008]

Back Upholstery

Available only with Height Adjustable Back Posts. If selecting both upholstery and Axiom Back, the upholstery will be installed.

- Padded Velcro Adjustable
 - Standard Cover [RGBUP001] _____ £0
 - Air Mesh Breathable Cover [RGBUP006] _____ £80
- Tension Adjustable
 - Standard Cover [RGBUP002] _____ £0
 - Air Mesh Breathable Cover [RGBUP007] _____ £170
- Omit Back Upholstery [RGBUP003] _____ £0

Front Seat Height and Casters

Caster Size / Footrest Taper / Front Seat Height

Select Front Seat Height and Footrest Taper in row corresponding to Caster Size. 6" casters not available with 85° and 90° Front Frame Bend.

Footrest Taper indicates bend of front frame creating footrest width. Taper is measured from outside of seat frame to outside of front tube.

2" Taper not available with 75° Front Frame Bend. Taper is not available with 70° Front Frame Bend. See reference E on page 7.

Front Seat Height is measured from floor to top of seat tube at front of seat sling. Adjustable up or down by 1/2". See reference F on page 7.

Footrest Taper	Price	Caster Size	Front Seat Height														
			3"	4"	4.5"	5"	5.5"	6"	6.5"	7"	7.5"	8"	8.5"	9"	9.5"	10"	10.5"
<input type="checkbox"/> Straight [RGFT00]	£0	3"	<input type="checkbox"/> 13.5	<input type="checkbox"/> 14	<input type="checkbox"/> 14.5	<input type="checkbox"/> 15	<input type="checkbox"/> 15.5	<input type="checkbox"/> 16	<input type="checkbox"/> 16.5	<input type="checkbox"/> 17	<input type="checkbox"/> 17.5	<input type="checkbox"/> 18	<input type="checkbox"/> 18.5	<input type="checkbox"/> 19	<input type="checkbox"/> 19.5	<input type="checkbox"/> 20	<input type="checkbox"/> 20.5
		4"	<input type="checkbox"/> 14	<input type="checkbox"/> 14.5	<input type="checkbox"/> 15	<input type="checkbox"/> 15.5	<input type="checkbox"/> 16	<input type="checkbox"/> 16.5	<input type="checkbox"/> 17	<input type="checkbox"/> 17.5	<input type="checkbox"/> 18	<input type="checkbox"/> 18.5	<input type="checkbox"/> 19	<input type="checkbox"/> 19.5	<input type="checkbox"/> 20	<input type="checkbox"/> 20.5	
		5"	<input type="checkbox"/> 14.5	<input type="checkbox"/> 15	<input type="checkbox"/> 15.5	<input type="checkbox"/> 16	<input type="checkbox"/> 16.5	<input type="checkbox"/> 17	<input type="checkbox"/> 17.5	<input type="checkbox"/> 18	<input type="checkbox"/> 18.5	<input type="checkbox"/> 19	<input type="checkbox"/> 19.5	<input type="checkbox"/> 20	<input type="checkbox"/> 20.5		
		6"	<input type="checkbox"/> 15	<input type="checkbox"/> 15.5	<input type="checkbox"/> 16	<input type="checkbox"/> 16.5	<input type="checkbox"/> 17	<input type="checkbox"/> 17.5	<input type="checkbox"/> 18	<input type="checkbox"/> 18.5	<input type="checkbox"/> 19	<input type="checkbox"/> 19.5	<input type="checkbox"/> 20	<input type="checkbox"/> 20.5			
<input type="checkbox"/> 1" Taper [RGFT01]	£50	3"	<input type="checkbox"/> 16.5	<input type="checkbox"/> 17	<input type="checkbox"/> 17.5	<input type="checkbox"/> 18	<input type="checkbox"/> 18.5	<input type="checkbox"/> 19	<input type="checkbox"/> 19.5	<input type="checkbox"/> 20	<input type="checkbox"/> 20.5						
		4"	<input type="checkbox"/> 17	<input type="checkbox"/> 17.5	<input type="checkbox"/> 18	<input type="checkbox"/> 18.5	<input type="checkbox"/> 19	<input type="checkbox"/> 19.5	<input type="checkbox"/> 20	<input type="checkbox"/> 20.5							
		5"	<input type="checkbox"/> 17.5	<input type="checkbox"/> 18	<input type="checkbox"/> 18.5	<input type="checkbox"/> 19	<input type="checkbox"/> 19.5	<input type="checkbox"/> 20	<input type="checkbox"/> 20.5								
		6"	<input type="checkbox"/> 18	<input type="checkbox"/> 18.5	<input type="checkbox"/> 19	<input type="checkbox"/> 19.5	<input type="checkbox"/> 20	<input type="checkbox"/> 20.5									
<input type="checkbox"/> 2" Taper [RGFT02]	£50	3"	<input type="checkbox"/> 16.5	<input type="checkbox"/> 17	<input type="checkbox"/> 17.5	<input type="checkbox"/> 18	<input type="checkbox"/> 18.5	<input type="checkbox"/> 19	<input type="checkbox"/> 19.5	<input type="checkbox"/> 20	<input type="checkbox"/> 20.5						
		4"	<input type="checkbox"/> 17	<input type="checkbox"/> 17.5	<input type="checkbox"/> 18	<input type="checkbox"/> 18.5	<input type="checkbox"/> 19	<input type="checkbox"/> 19.5	<input type="checkbox"/> 20	<input type="checkbox"/> 20.5							
		5"	<input type="checkbox"/> 17.5	<input type="checkbox"/> 18	<input type="checkbox"/> 18.5	<input type="checkbox"/> 19	<input type="checkbox"/> 19.5	<input type="checkbox"/> 20	<input type="checkbox"/> 20.5								
		6"	<input type="checkbox"/> 18	<input type="checkbox"/> 18.5	<input type="checkbox"/> 19	<input type="checkbox"/> 19.5	<input type="checkbox"/> 20	<input type="checkbox"/> 20.5									
<input type="checkbox"/> 3.5° V-Front [RGFT05] <i>New!</i>	£50	3"	<input type="checkbox"/> 13.5	<input type="checkbox"/> 14	<input type="checkbox"/> 14.5	<input type="checkbox"/> 15	<input type="checkbox"/> 15.5	<input type="checkbox"/> 16	<input type="checkbox"/> 16.5	<input type="checkbox"/> 17	<input type="checkbox"/> 17.5	<input type="checkbox"/> 18	<input type="checkbox"/> 18.5	<input type="checkbox"/> 19	<input type="checkbox"/> 19.5	<input type="checkbox"/> 20	<input type="checkbox"/> 20.5
		4"	<input type="checkbox"/> 14	<input type="checkbox"/> 14.5	<input type="checkbox"/> 15	<input type="checkbox"/> 15.5	<input type="checkbox"/> 16	<input type="checkbox"/> 16.5	<input type="checkbox"/> 17	<input type="checkbox"/> 17.5	<input type="checkbox"/> 18	<input type="checkbox"/> 18.5	<input type="checkbox"/> 19	<input type="checkbox"/> 19.5	<input type="checkbox"/> 20	<input type="checkbox"/> 20.5	
		5"	<input type="checkbox"/> 14.5	<input type="checkbox"/> 15	<input type="checkbox"/> 15.5	<input type="checkbox"/> 16	<input type="checkbox"/> 16.5	<input type="checkbox"/> 17	<input type="checkbox"/> 17.5	<input type="checkbox"/> 18	<input type="checkbox"/> 18.5	<input type="checkbox"/> 19	<input type="checkbox"/> 19.5	<input type="checkbox"/> 20	<input type="checkbox"/> 20.5		
		6"	<input type="checkbox"/> 15	<input type="checkbox"/> 15.5	<input type="checkbox"/> 16	<input type="checkbox"/> 16.5	<input type="checkbox"/> 17	<input type="checkbox"/> 17.5	<input type="checkbox"/> 18	<input type="checkbox"/> 18.5	<input type="checkbox"/> 19	<input type="checkbox"/> 19.5	<input type="checkbox"/> 20	<input type="checkbox"/> 20.5			
<input type="checkbox"/> 7° V-Front [RGFT06] <i>New!</i>	£50	3"	<input type="checkbox"/> 13.5	<input type="checkbox"/> 14	<input type="checkbox"/> 14.5	<input type="checkbox"/> 15	<input type="checkbox"/> 15.5	<input type="checkbox"/> 16	<input type="checkbox"/> 16.5	<input type="checkbox"/> 17	<input type="checkbox"/> 17.5	<input type="checkbox"/> 18	<input type="checkbox"/> 18.5	<input type="checkbox"/> 19	<input type="checkbox"/> 19.5	<input type="checkbox"/> 20	<input type="checkbox"/> 20.5
		4"	<input type="checkbox"/> 14	<input type="checkbox"/> 14.5	<input type="checkbox"/> 15	<input type="checkbox"/> 15.5	<input type="checkbox"/> 16	<input type="checkbox"/> 16.5	<input type="checkbox"/> 17	<input type="checkbox"/> 17.5	<input type="checkbox"/> 18	<input type="checkbox"/> 18.5	<input type="checkbox"/> 19	<input type="checkbox"/> 19.5	<input type="checkbox"/> 20	<input type="checkbox"/> 20.5	
		5"	<input type="checkbox"/> 14.5	<input type="checkbox"/> 15	<input type="checkbox"/> 15.5	<input type="checkbox"/> 16	<input type="checkbox"/> 16.5	<input type="checkbox"/> 17	<input type="checkbox"/> 17.5	<input type="checkbox"/> 18	<input type="checkbox"/> 18.5	<input type="checkbox"/> 19	<input type="checkbox"/> 19.5	<input type="checkbox"/> 20	<input type="checkbox"/> 20.5		
		6"	<input type="checkbox"/> 15	<input type="checkbox"/> 15.5	<input type="checkbox"/> 16	<input type="checkbox"/> 16.5	<input type="checkbox"/> 17	<input type="checkbox"/> 17.5	<input type="checkbox"/> 18	<input type="checkbox"/> 18.5	<input type="checkbox"/> 19	<input type="checkbox"/> 19.5	<input type="checkbox"/> 20	<input type="checkbox"/> 20.5			

Caster

Caster Type	Price	Caster Size			
		3"	4"	5"	6"
.75" Rollerblade	£90	<input type="checkbox"/> [RGCAS002]	<input type="checkbox"/> [RGCAS004]		
.75" Lighted Rollerblade	£90	<input type="checkbox"/> [RGCAS001]	<input type="checkbox"/> [RGCAS005]		
1" Poly	£0		<input type="checkbox"/> [RGCAS006]	<input type="checkbox"/> [RGCAS010]	<input type="checkbox"/> [RGCAS014]
1" Poly Aluminum	£90		<input type="checkbox"/> [RGCAS007]	<input type="checkbox"/> [RGCAS011]	
1" Pneumatic	£90				<input type="checkbox"/> [RGCAS017]
1.5" Poly	£0		<input type="checkbox"/> [RGCAS032]	<input type="checkbox"/> [RGCAS025]	<input type="checkbox"/> [RGCAS026]
1.5" Soft Roll Aluminum	£90	<input type="checkbox"/> [RGCAS003]	<input type="checkbox"/> [RGCAS009]	<input type="checkbox"/> [RGCAS013]	<input type="checkbox"/> [RGCAS016]

Front Seat Height and Casters continued

Caster Position

See reference L on page 7

- Optimized **New!** [RGCST015] _____ £0
Caster Placement minimizes the footprint of the chair
- Expanded Width [RGCST016] _____ £0

Fork Options

- Standard Fork [RGFRK001] _____ £0
- Single Sided Fork [RGFRK003] _____ £200
- Frog Legs Suspension Fork [RGCST013] _____ £400
Not included in Colored Anodizing Package
 - User Weight 80-120 lbs [RGCST008]
 - User Weight 120-160 lbs [RGCST009]
 - User Weight 160-220 lbs [RGCST010]
 - User Weight 220-260 lbs [RGCST011]
 - User Weight 260-275 lbs [RGCST012]
- Frog Legs II Suspension System [RGCST014] _____ £450
Lightweight shock absorbing fork. Not included in Colored Anodizing Package.

Footrest

Footplate

- Tubular "Open" Footplate [RGFPL004] _____ £0
Not available with V-Taper
- Tubular Footplate with ABS Cover [RGFPL005] _____ £90
Not available w/footrest widths greater than 15.5". See Reference G on page 7. Not available with V-Taper.
- Aluminum Angle Adjustable [RGFPL006] _____ £180
- Aluminum Angle Adjustable with Riser [RGFPL007] _____ £180
- High Mount Aluminum Angle Adjustable [RGFPL008] _____ £180
Not available with V-Taper
- Angle Adjustable Flip Under [RGFPL012] _____ £200
Not available with footrest widths less than 9.5". See Reference G on page 7.
- High Mount Angle Adjustable Flip Under [RGFPL011] _____ £250
Not available w/footrest widths greater than 15.5". See Reference G on page 7. Not available with V-Taper
- Hybrid Angle Adjustable **New!** [RGFPL015] _____ £100
- Hybrid Angle Adjustable with Wings **New!** [RGFPL016] _____ £100

Footrest Protector

- Footrest Protector [RGACC020] _____ £20
Not available with Angle Adjustable Flip Under, High Mount Angle Adjustable Flip Under or High Mount Aluminum Angle Adjustable Footplates

Seat to Footrest Length

Measured from front edge of seat sling to top, rear of footrest. Footrest length at least 2.5" shorter than Front Seat Height recommended. See reference H on page 7.

<input type="checkbox"/> 8"	<input type="checkbox"/> 8.5"	<input type="checkbox"/> 9"	<input type="checkbox"/> 9.5"	<input type="checkbox"/> 10"	<input type="checkbox"/> 10.5"
<input type="checkbox"/> 11"	<input type="checkbox"/> 11.5"	<input type="checkbox"/> 12"	<input type="checkbox"/> 12.5"	<input type="checkbox"/> 13"	<input type="checkbox"/> 13.5"
<input type="checkbox"/> 14"	<input type="checkbox"/> 14.5"	<input type="checkbox"/> 15"	<input type="checkbox"/> 15.5"	<input type="checkbox"/> 16"	<input type="checkbox"/> 16.5"
<input type="checkbox"/> 17"	<input type="checkbox"/> 17.5"	<input type="checkbox"/> 18"	<input type="checkbox"/> 18.5"	<input type="checkbox"/> 19"	<input type="checkbox"/> 19.5"

Rear Seat Height and Wheels

Wheel Size / Rear Seat Height

Select Rear Seat Height in row corresponding to desired Wheel Size. For proper setup, selection is required when omitting rear wheels. Measured from floor to top of seat tube at front of back post. Rear Seat Height is custom to needs. See reference I on page 7.

Wheel Size	Rear Seat Height															
20"	<input type="checkbox"/> 12.5 ¹	<input type="checkbox"/> 13	<input type="checkbox"/> 13.5	<input type="checkbox"/> 14	<input type="checkbox"/> 14.5	<input type="checkbox"/> 15	<input type="checkbox"/> 15.5	<input type="checkbox"/> 16	<input type="checkbox"/> 16.5	<input type="checkbox"/> 17	<input type="checkbox"/> 17.5	<input type="checkbox"/> 18	<input type="checkbox"/> 18.5	<input type="checkbox"/> 19	<input type="checkbox"/> 19.5	<input type="checkbox"/> 20
22"	<input type="checkbox"/> 13.5 ¹	<input type="checkbox"/> 14	<input type="checkbox"/> 14.5	<input type="checkbox"/> 15	<input type="checkbox"/> 15.5	<input type="checkbox"/> 16	<input type="checkbox"/> 16.5	<input type="checkbox"/> 17	<input type="checkbox"/> 17.5	<input type="checkbox"/> 18	<input type="checkbox"/> 18.5	<input type="checkbox"/> 19	<input type="checkbox"/> 19.5	<input type="checkbox"/> 20		
24"	<input type="checkbox"/> 14.5 ¹	<input type="checkbox"/> 15	<input type="checkbox"/> 15.5	<input type="checkbox"/> 16	<input type="checkbox"/> 16.5	<input type="checkbox"/> 17	<input type="checkbox"/> 17.5	<input type="checkbox"/> 18	<input type="checkbox"/> 18.5	<input type="checkbox"/> 19	<input type="checkbox"/> 19.5	<input type="checkbox"/> 20				
25"	<input type="checkbox"/> 15 ¹	<input type="checkbox"/> 15.5	<input type="checkbox"/> 16	<input type="checkbox"/> 16.5	<input type="checkbox"/> 17	<input type="checkbox"/> 17.5	<input type="checkbox"/> 18	<input type="checkbox"/> 18.5	<input type="checkbox"/> 19	<input type="checkbox"/> 19.5	<input type="checkbox"/> 20					
26"	<input type="checkbox"/> 15.5 ¹	<input type="checkbox"/> 16	<input type="checkbox"/> 16.5	<input type="checkbox"/> 17	<input type="checkbox"/> 17.5	<input type="checkbox"/> 18	<input type="checkbox"/> 18.5	<input type="checkbox"/> 19	<input type="checkbox"/> 19.5	<input type="checkbox"/> 20						

¹ Available only with Low Profile tires

One Arm Drive

- One Arm Drive [RGDRV007] _____ £1000
Available only with 20", 22" and 24" spoke wheels and quick release axles. Spoke wheel style provided is exclusive to OAD. Standard handrim will be Aluminum Anodized. Limitations exist based on rear wheel spacing, camber and armrest selections.
 - Rear Wheel Size: 20" [RGOAD020] 22" [RGOAD020] 24" [RGOAD020]
 - Drive Handrim Side: Left [RGOAD020] Right [RGOAD020]
 - Drive Handrim Type: Aluminum [RGOAD020] _____ £0
 Poly Coated [RGOAD020] _____ £200

Rear Seat Height and Wheels continued

Rear Wheel

No selection needed with One Arm Drive

		Rear Wheel Size					
		Price	20"	22"	24"	25"	26"
Rear Wheel Type	MAXX Spoke	£0	<input type="checkbox"/> [RGWH1120]	<input type="checkbox"/> [RGWH1122]	<input type="checkbox"/> [RGWH1124]	<input type="checkbox"/> [RGWH1125]	<input type="checkbox"/> [RGWH1126]
	MAXX Mag	£200	<input type="checkbox"/> [RGWH1220]	<input type="checkbox"/> [RGWH1222]	<input type="checkbox"/> [RGWH1224]		
	MAXX Mag (Color) ²	£250	<input type="checkbox"/> [RGWH1320]	<input type="checkbox"/> [RGWH1322]	<input type="checkbox"/> [RGWH1324]		
	Superlight Spoke	£200			<input type="checkbox"/> [RGWHE224]	<input type="checkbox"/> ¹ [RGWHE225]	
	Spinergy Spox	£670		<input type="checkbox"/> [RGWHE422]	<input type="checkbox"/> [RGWHE424]	<input type="checkbox"/> [RGWHE425]	<input type="checkbox"/> [RGWHE426]
	Spinergy LX	£870		<input type="checkbox"/> [RGWHE522]	<input type="checkbox"/> [RGWHE524]	<input type="checkbox"/> [RGWHE525]	<input type="checkbox"/> [RGWHE526]

¹ Available only with Superlight and Plastic Coated Handrims

² Color selection on page 6

Spinergy Options

Select spoke color and handrim tab for Spinergy wheels

Spoke Color: £100

- Black [RGSSC001]
- Red [RGSSC002]
- White [RGSSC003]
- Blue [RGSSC005]
- Yellow [RGSSC004]
- Pink ¹[RGSSC007]
- Green ¹[RGSSC008]
- Purple ¹[RGSSC0012]
- Orange ¹[RGSSC009]

¹ Available only with Spinergy LX

Handrim Tab:

Available only with Aluminum Anodized and Plastic Coated Handrims

- Short Tab [RGTAB001] _____ £0
- Long Tab [RGTAB001] _____ £0

Rear Tire Type

Full Profile

- Street Pneumatic 1 3/8" Grey [RGTIR001] _____ £0
Not available on 25" wheel size
- Full Poly 1 3/8" Black [RGTIR002] _____ £95
Not available on Superlight wheel or 25" or 26" wheel sizes
- Pneumatic with Airless Insert 1 3/8" Grey [RGTIR004] _____ £95
Not available on Superlight wheel or 25" wheel size
- Schwalbe HS-127 1 3/8" Grey [RGTIR008] _____ £95
Available only on 24" wheel size. Not available on Mag wheel.

Low Profile

- Low Poly 1" Black [RGTIR003] _____ £0
Not available on Superlight wheel, 25" or 26" wheel sizes
- Sentinel Solid Tire 1" Black [RGTIR005] _____ £95
Not available on Superlight wheel
- High Pressure 1" [RGTIR006] _____ £0
Not available on Mag wheel
- Schwalbe One 1" Black [RGTIR018] _____ £95
Available only on 24" and 25" wheel sizes. Not available on Mag wheel.
- Schwalbe Marathon Plus Evolution 1" Black [RGTIR010] _____ £95
Not available on Mag wheel, 20" or 22" wheel sizes

Handrim

No selection needed with One Arm Drive

Standard Handrims

- Aluminum Anodized [RGHRM001] _____ £0
- Superlight Aluminum Anodized [RGHRM010] _____ £0
Available only on 24" and 25" wheel sizes. Available only on MAXX Spokes, Superlight or Spinergy wheels.
- Plastic Coated [RGHRM002] _____ £110
- Projection (8 Vertical Projections) [RGHRM003] _____ £300
Available only with full profile tires in combination with 22", 24" or 26" MAXX Wheels
- Spinergy Flex Rim [RGHRM011] _____ £500
Available only on 24" and 25" Spinergy LX Wheels
- Omit Handrim [RGHRM012] _____ £0

Natural Fit Handrims

Not available on 20" wheel size or 22" Mag wheel. Not recommended with Mag wheel.

- Natural Fit LT Regular Grip [RGHRM005] _____ £240
- Natural Fit Standard Regular Grip [RGHRM008] _____ £240
- Natural Fit LT Super Grip [RGHRM006] _____ £240
- Natural Fit Standard Super Grip [RGHRM009] _____ £240
- Natural Fit LT Omit Grip [RGHRM004] _____ £240
- Natural Fit Standard Omit Grip [RGHRM007] _____ £240

Handrim Option

- 3M Micro Grip [RGACC006] _____ £90
Not available on Plastic Coated or Projection Handrims

Axle

- Quick Release [RGAXO003] _____ £0
- Quad Quick Release [RGAXO001] _____ £170
Not available with Mag or Spinergy wheels

Center of Gravity Preset

Measured from front of back post to center of rear axle. 0" indicates axle will be directly under back post. See reference J on page 7.

Amputee Positions

<input type="checkbox"/> -1.5" [RGCGA150]	<input type="checkbox"/> -1" [RGCGA100]	<input type="checkbox"/> -.5" [RGCGA050]	<input type="checkbox"/> 0" [RGCGS000]	<input type="checkbox"/> .25" [RGCGS025]
---	---	--	--	--

Standard Positions

<input type="checkbox"/> .5" [RGCGS050]	<input type="checkbox"/> .75" [RGCGS075]	<input type="checkbox"/> 1" [RGCGS100]	<input type="checkbox"/> 1.25" [RGCGS125]	<input type="checkbox"/> 1.5" [RGCGS150]	<input type="checkbox"/> 1.75" [RGCGS175]	<input type="checkbox"/> 2" [RGCGS200]
<input type="checkbox"/> 2.25" [RGCGS225]	<input type="checkbox"/> 2.5" [RGCGS250]	<input type="checkbox"/> 2.75" [RGCGS275]	<input type="checkbox"/> 3" [RGCGS300]	<input type="checkbox"/> 3.25" [RGCGS325]	<input type="checkbox"/> 3.5" [RGCGS350]	<input type="checkbox"/> 3.75" [RGCGS375]
<input type="checkbox"/> 4" [RGCGS400]	<input type="checkbox"/> 4.25" [RGCGS425]	<input type="checkbox"/> 4.5" [RGCGS450]	<input type="checkbox"/> 4.75" [RGCGS475]	<input type="checkbox"/> 5" [RGCGS500]		

Rear Seat Height and Wheels continued

Rear Wheel Spacing **Rear Wheel Camber**

1" minimum with 0° camber. 1.5" minimum with T-Arms. The following apply if One Arm Drive is selected: 1.75" minimum with T-Arms. 1.25" minimum with select Rear Seat Heights. See Reference K on page 7.

- .75" [RGWS075] 1" [RGWS100] 1.25" [RGWS125]
- 1.5" [RGWS150] 1.75" [RGWS175]

The following apply if One Arm Drive is selected: 6° and 8° not available. 4° not available with T-Arms.

- 0° [RGWC00] 2° [RGWC02] 4° [RGWC04]
- 6° [RGWC06] 8° [RGWC08]

Wheel Locks

Wheel Lock **Wheel Lock Options**

- Push to Lock [RGWLK002] _____ £0
- Push to Lock Flush Mount [RGWLK001] _____ £60
- Pull to Lock [RGWLK003] _____ £0
- Under Seat Scissor Lock [RGWLK007] _____ £60
- Low Profile Scissor Lock [RGWLK012] _____ £50

Not available with Low Poly, Full Poly or Sentinel Solid tires

- Short Thro Scissor Lock [RGWLK006] _____ £200
- Omit Wheel Locks [RGWLK008] _____ £0

- Extension Handles [RGWLK004] _____ £60
Available only with Push to Lock or Pull to Lock Wheel Locks

- Grade Aids [RGWLK009] _____ £150
Available only with Push to Lock Wheel Locks and Pneumatic or Pneumatic with Airless Insert tires

Armrests

Armrest

- Height Adjustable T-Arm Tall (11.5" - 15")
- Desk [RGARM039] _____ £200
 - Full [RGARM040] _____ £200

- Height Adjustable T-Arm (8.5" - 13.5")
- Desk [RGARM003] _____ £200

- Height Adjustable T-Arm Low (6.5" - 10.5")
- If requested configuration is unavailable, standard height T-Arm will be used*
- Desk [RGARM022] _____ £200
 - Full [RGARM023] _____ £200

- Swing Away (8.5" - 12.5") [RGARM002] _____ £200
- Swing Away with Side Guard (8.5" - 12.5") [RGARM018] _____ £250
Includes direct mount receiver

- Omit Armrests [RGARM007] _____ £0

Side Guards

Not available with T-Arms or Swing Away with Side Guard Armrests

Direct Mount **Clamp-On Mount**

- Composite Side Guards [RGSDG002] _____ £50

- Aluminum Straight
- Black Matte [RGSDG024] _____ £200
 - Match Frame Color [RGSDG025] _____ £250
Not available with Hydrographics

- Aluminum Adjustable Fender with Foam Pad
- Not available with Adjustable Depth greater than 1/2"*
- Black Matte [RGSDG014] _____ £200
 - Match Frame Color [RGSDG015] _____ £250
Not available with Hydrographics

- Carbon Fiber Adjustable Fender [RGSDG013] _____ £250
Not available with Adjustable Depth greater than 1/2"

- Composite Side Guards [RGSDG004] _____ £50

- Aluminum Straight
- Black Matte [RGSDG020] _____ £200
 - Match Frame Color [RGSDG023] _____ £250
Not available with Hydrographics

- Aluminum Adjustable Fender with Foam Pad
- Black Matte [RGSDG017] _____ £200
 - Match Frame Color [RGSDG018] _____ £250
Not available with Hydrographics
 - Carbon Fiber Adjustable Fender [RGSDG016] _____ £250

Fabric Side Guard

Not available when omitting Back Upholstery

- Fabric Side Guards [10SDG003] _____ £100

Accessories

- ### Anti-Tip
- Rear Anti-Tips [RGATP001] £100
 - User Activated Anti-Tips **New!**
 - Pair [RGATP012] £300
 - Single-Left [RGATP010] £150
 - Single-Right [RGATP011] £150
 - Omit Rear Anti-Tips [RGATP000] £0

- ### Calf Strap
- Velcro Adjustable [RGACC002] £35
 - Padded Velcro Adjustable [RGACC003] £65
 - Bodypoint Padded AeroMesh [RGACC010] £65

- ### Pelvic Positioning Belt
- 1 1/2" Auto Buckle [RGPOB001] £50
 - 1 1/2" Padded Auto Buckle [RGPOB002] £150
 - 1" Auto Buckle [RGPOB004] £50
 - 1" Padded Auto Buckle [RGPOB005] £150
 - 2" Airline Buckle [RGPOB003] £100
 - Bodypoint Evoflex - Pelvic Stabilizer £100
 - Size: Small (16-24") [RGPOB007] Medium (19-29") [RGPOB007] Large (25-37") [RGPOB007]

- ### Belt Mounting Kit
- Ki Mobility Belt Mounting Clamp [RGACC023] £0
 - Bodypoint Belt Mounting Bracket Kit [RGACC013] £100

- ### Other Accessories
- Tool Kit [RGACC005] £0
 - Removable Underseat Pouch [RGACC015] £0
 - Ki Mobility Backpack [RGACC009] £50
 - Luggage Carrier [RGACC025] £80
 - Black Neoprene Impact Guards [RGIMG001] £50
 - Under Chair Carrier and Removable Bag [RGACC001] £40
Not available with Seat Widths less than 14" or scissor locks
 - Clear Spoke Guards [RGSPG001] £150
Not available with Mag wheel
 - Black Spoke Guards [RGSPG002] £150
Not available with 20" wheel size or Mag wheel
 - Cane and Crutch Holder [RGACC007] £100

Color

Options	Price	Colors																		Hydrographics ¹												
		Gloss												Matte						Price	AOR1 (Desert Digital Camo)	NEXT Camo	Carbon Fiber ²	Zebra ²								
		Black	Blue Skies	Bubblegum Pink	Candy Blue	Candy Purple	Candy Red	Copper	Granny Smith	Metallic Orange	Silver	Teal	Yellow	Charcoal Gray	Emerald Green	Iridescent Burgundy	Iridescent Navy	Military Green	Retro Red						Royal Blue	Shadow Black	Smooth White					
Frame	£0	<input type="checkbox"/>	<input type="checkbox"/>	<input type="checkbox"/>	<input type="checkbox"/>	<input type="checkbox"/>	<input type="checkbox"/>	<input type="checkbox"/>	<input type="checkbox"/>	<input type="checkbox"/>	<input type="checkbox"/>	<input type="checkbox"/>	<input type="checkbox"/>	<input type="checkbox"/>	<input type="checkbox"/>	<input type="checkbox"/>	<input type="checkbox"/>	<input type="checkbox"/>	<input type="checkbox"/>	<input type="checkbox"/>	<input type="checkbox"/>	<input type="checkbox"/>	£700	<input type="checkbox"/>	<input type="checkbox"/>	<input type="checkbox"/>	<input type="checkbox"/>					
Backrest Release Bar	£50	<input type="checkbox"/>	<input type="checkbox"/>	<input type="checkbox"/>	<input type="checkbox"/>	<input type="checkbox"/>	<input type="checkbox"/>	<input type="checkbox"/>	<input type="checkbox"/>	<input type="checkbox"/>	<input type="checkbox"/>	<input type="checkbox"/>	<input type="checkbox"/>	<input type="checkbox"/>	<input type="checkbox"/>	<input type="checkbox"/>	<input type="checkbox"/>	<input type="checkbox"/>	<input type="checkbox"/>	<input type="checkbox"/>	<input type="checkbox"/>	<input type="checkbox"/>	Hydrographics Base Color ³									
	Std	<input type="checkbox"/> Black Anodized																				<input type="checkbox"/>	Black	<input type="checkbox"/>	Blue	<input type="checkbox"/>	Granny Smith	<input type="checkbox"/>	Pink	<input type="checkbox"/>	Purple	<input type="checkbox"/>
MAXX Mag		<input type="checkbox"/>	<input type="checkbox"/>	<input type="checkbox"/>	<input type="checkbox"/>	<input type="checkbox"/>	<input type="checkbox"/>	<input type="checkbox"/>	<input type="checkbox"/>	<input type="checkbox"/>	<input type="checkbox"/>	<input type="checkbox"/>	<input type="checkbox"/>	<input type="checkbox"/>	<input type="checkbox"/>	<input type="checkbox"/>	<input type="checkbox"/>	<input type="checkbox"/>	<input type="checkbox"/>	<input type="checkbox"/>	<input type="checkbox"/>	<input type="checkbox"/>	<input type="checkbox"/>	<input type="checkbox"/>	<input type="checkbox"/>	<input type="checkbox"/>	<input type="checkbox"/>	<input type="checkbox"/>	<input type="checkbox"/>			

¹ Not available with Transit Option.
² Select Hydrographics Base Color. Zebra not available with Black.
³ Selection available only with, and required for, Carbon Fiber and Zebra Hydrographics.

Colored Anodizing Package

Select desired color. If no selection is made, black will be used.

	Color	Black ¹	Blue	Bright Green	Gold	Orange	Pewter	Pink	Purple	Red
Option	Back Plates ²	<input type="checkbox"/> [RGANOB01]	<input type="checkbox"/> [RGANOB02]	<input type="checkbox"/> [RGANOB03]	<input type="checkbox"/> [RGANOB04]	<input type="checkbox"/> [RGANOB05]	<input type="checkbox"/> [RGANOB06]	<input type="checkbox"/> [RGANOB07]	<input type="checkbox"/> [RGANOB08]	<input type="checkbox"/> [RGANOB09]
	Camber Tube	<input type="checkbox"/> [RGANOC01]	<input type="checkbox"/> [RGANOC02]	<input type="checkbox"/> [RGANOC03]	<input type="checkbox"/> [RGANOC04]	<input type="checkbox"/> [RGANOC05]	<input type="checkbox"/> [RGANOC06]	<input type="checkbox"/> [RGANOC07]	<input type="checkbox"/> [RGANOC08]	<input type="checkbox"/> [RGANOC09]
	Towers	<input type="checkbox"/> [RGANOT01]	<input type="checkbox"/> [RGANOT02]	<input type="checkbox"/> [RGANOT03]	<input type="checkbox"/> [RGANOT04]	<input type="checkbox"/> [RGANOT05]	<input type="checkbox"/> [RGANOT06]	<input type="checkbox"/> [RGANOT07]	<input type="checkbox"/> [RGANOT08]	<input type="checkbox"/> [RGANOT09]
	Side Guard Receivers	<input type="checkbox"/> [RGANOS01]	<input type="checkbox"/> [RGANOS02]	<input type="checkbox"/> [RGANOS03]	<input type="checkbox"/> [RGANOS04]	<input type="checkbox"/> [RGANOS05]	<input type="checkbox"/> [RGANOS06]	<input type="checkbox"/> [RGANOS07]	<input type="checkbox"/> [RGANOS08]	<input type="checkbox"/> [RGANOS09]
	Caster Forks ³	<input type="checkbox"/> [RGANOF10]	<input type="checkbox"/> [RGANOF11]	<input type="checkbox"/> [RGANOF12]	<input type="checkbox"/> [RGANOF13]	<input type="checkbox"/> [RGANOF14]	<input type="checkbox"/> [RGANOF15]	<input type="checkbox"/> [RGANOF16]	<input type="checkbox"/> [RGANOF17]	<input type="checkbox"/> [RGANOF18]

¹ Black is no charge
² Not available with Transit Option
³ Available only with Standard or Single Sided

References

A. Seat Width *See Diagram 1*

Measured from outside of frame tube on one side to outside of frame tube on other side.

B. Seat Depth *See Diagram 3*

Measured from front of back posts to front edge of seat sling. Seat sling starts at beginning of bend at front of frame.

C. Sling Position *See Diagram 2*

In Performance Position (0°), sling is at front of frame to keep chair shorter and more maneuverable. The 1" or 2" seat sling position extends the frame in front of the sling by that amount. Adding more frame can improve stability and provide support to aid in transfers.

D. Front Frame Bend *See Diagram 3*

Angle between front seat tube and ground.

E. Footrest Taper *See Diagram 1*

Indicates bend of front frame creating footrest. Taper is measured from outside of seat frame to outside of front tube.

F. Front Seat Height *See Diagram 1*

Measured from floor to top of seat tube at front of seat sling.

G. Footrest Width *See Diagram 1*

Measured from inside of front tube to inside of front tube on other side. Footrest width is listed below for each seat width and taper.

Seat Width	Straight	1" Y Taper	2" Y Taper	3.5° V Taper	7° V Taper
Outside Measurement	2" Narrower than Seat Width	4" Narrower than Seat Width	6" Narrower than Seat Width	4" Narrower than Seat Width	6" Narrower than Seat Width
12"	9.5"	7.5"		7.5"	
13"	10.5"	8.5"		8.5"	
14"	11.5"	9.5"		9.5"	
15"	12.5"	10.5"		10.5"	
16"	13.5"	11.5"	9.5"	11.5"	9.5"
17"	14.5"	12.5"	10.5"	12.5"	10.5"
18"	15.5"	13.5"	11.5"	13.5"	11.5"
19"	16.5"	14.5"	12.5"	14.5"	12.5"
20"	17.5"	15.5"	13.5"	15.5"	13.5"

H. Seat to Footrest Length *See Diagram 3*

Measured from front edge of seat sling to top rear of footrest. Footrest length of at least 2.5" shorter than front seat height recommended.

I. Rear Seat Height *See Diagram 3*

Measured from floor to top of seat tube at front of back post. Rear seat height is custom to needs.

J. Center of Gravity Preset *See Diagram 3*

Measured from front of back post to center of rear axle. 0" indicates axle will be directly under back post.

K. Rear Wheel Spacing *See Diagram 1*

Measured from outside of seat back to inside of rear tire. Adjustable out .5" from setting.

L. Caster Position *See Diagram 4*

The Optimized Position keeps the casters tighter to the frame for enhanced maneuverability. Expanded Position pushes the casters out .75" past the Optimized Position for increased stability.

Diagram 1

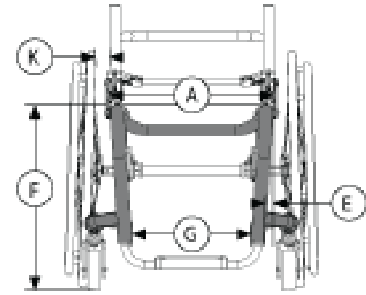


Diagram 2

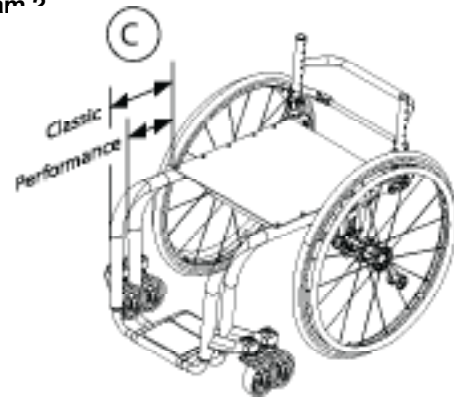


Diagram 3

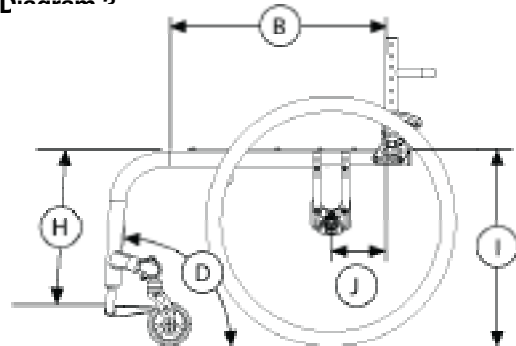
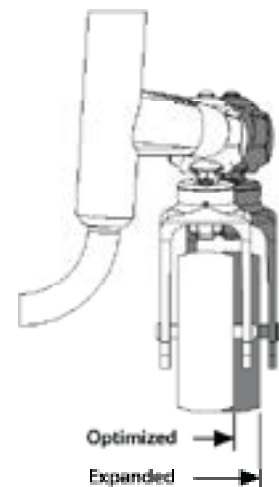


Diagram 4



Axiom G, S and P Cushions

Select size in chart at right. Weight capacity: 350 lbs.

- Axiom G, S and P Cushions**
- Axiom G _____ £79
 - Axiom S _____ £110
 - Axiom P _____ £155

Axiom G, S or P Cushion Quantity: 1 2
 If no selection is made, quantity 1 will be selected

		Width								
		14"	15"	16"	17"	18"	19"	20"	21"	22"
Depth	14"	<input type="checkbox"/>								
	15"	<input type="checkbox"/>	<input type="checkbox"/>	<input type="checkbox"/>						
	16"	<input type="checkbox"/>	<input type="checkbox"/>	<input type="checkbox"/>	<input type="checkbox"/>	<input type="checkbox"/>	<input type="checkbox"/>	<input type="checkbox"/>		
	17"	<input type="checkbox"/>	<input type="checkbox"/>	<input type="checkbox"/>	<input type="checkbox"/>	<input type="checkbox"/>	<input type="checkbox"/>	<input type="checkbox"/>		
	18"	<input type="checkbox"/>	<input type="checkbox"/>	<input type="checkbox"/>	<input type="checkbox"/>	<input type="checkbox"/>	<input type="checkbox"/>	<input type="checkbox"/>		<input type="checkbox"/>
	19"		<input type="checkbox"/>	<input type="checkbox"/>	<input type="checkbox"/>	<input type="checkbox"/>	<input type="checkbox"/>	<input type="checkbox"/>		<input type="checkbox"/>
	20"		<input type="checkbox"/>	<input type="checkbox"/>	<input type="checkbox"/>	<input type="checkbox"/>	<input type="checkbox"/>	<input type="checkbox"/>		<input type="checkbox"/>
	21"			<input type="checkbox"/>		<input type="checkbox"/>	<input type="checkbox"/>	<input type="checkbox"/>		<input type="checkbox"/>
22"			<input type="checkbox"/>		<input type="checkbox"/>	<input type="checkbox"/>	<input type="checkbox"/>		<input type="checkbox"/>	

Axiom SP Cushions

Select size in chart at right. Weight capacity: 350 lbs.

- Axiom SP Cushions**
- Axiom SP - Visco _____ £340
 - Axiom SP - Fluid _____ £315

Axiom SP Cushion Quantity: 1 2
 If no selection is made, quantity 1 will be selected

		Width								
		14"	15"	16"	17"	18"	19"	20"	21"	22"
Depth	14"	<input type="checkbox"/>	<input type="checkbox"/>	<input type="checkbox"/>						
	15"	<input type="checkbox"/>	<input type="checkbox"/>	<input type="checkbox"/>	<input type="checkbox"/>	<input type="checkbox"/>				
	16"	<input type="checkbox"/>	<input type="checkbox"/>	<input type="checkbox"/>	<input type="checkbox"/>	<input type="checkbox"/>	<input type="checkbox"/>	<input type="checkbox"/>		<input type="checkbox"/>
	17"	<input type="checkbox"/>	<input type="checkbox"/>	<input type="checkbox"/>	<input type="checkbox"/>	<input type="checkbox"/>	<input type="checkbox"/>	<input type="checkbox"/>		<input type="checkbox"/>
	18"	<input type="checkbox"/>	<input type="checkbox"/>	<input type="checkbox"/>	<input type="checkbox"/>	<input type="checkbox"/>	<input type="checkbox"/>	<input type="checkbox"/>	<input type="checkbox"/>	<input type="checkbox"/>
	19"	<input type="checkbox"/>	<input type="checkbox"/>	<input type="checkbox"/>	<input type="checkbox"/>	<input type="checkbox"/>	<input type="checkbox"/>	<input type="checkbox"/>	<input type="checkbox"/>	<input type="checkbox"/>
	20"	<input type="checkbox"/>	<input type="checkbox"/>	<input type="checkbox"/>	<input type="checkbox"/>	<input type="checkbox"/>	<input type="checkbox"/>	<input type="checkbox"/>	<input type="checkbox"/>	<input type="checkbox"/>
	21"		<input type="checkbox"/>	<input type="checkbox"/>	<input type="checkbox"/>	<input type="checkbox"/>	<input type="checkbox"/>	<input type="checkbox"/>	<input type="checkbox"/>	<input type="checkbox"/>
22"		<input type="checkbox"/>	<input type="checkbox"/>	<input type="checkbox"/>	<input type="checkbox"/>	<input type="checkbox"/>	<input type="checkbox"/>	<input type="checkbox"/>	<input type="checkbox"/>	

Axiom Cushion Accessories

- Outer Covers**
- Axiom G Extra Outer Cover _____ £59
 - Axiom S Extra Outer Cover _____ £67
 - Axiom P Extra Outer Cover _____ £76
 - Axiom SP Extra Visco Outer Cover _____ £84
 - Axiom SP Extra Fluid Outer Cover _____ £84

Outer Cover Quantity: 1 2
 If no selection is made, quantity 1 will be selected

- Inner Covers**
- Axiom SP Extra Visco Inner Cover _____ £84
 - Axiom SP Extra Fluid Inner Cover _____ £84

Inner Cover Quantity: 1 2
 If no selection is made, quantity 1 will be selected

- Solid Seat Insert**
- Select size in chart below. Weight capacity: 350 lbs.
- Solid Seat Insert _____ £46

		Width								
		14"	15"	16"	17"	18"	19"	20"	21"	22"
Depth	14"	<input type="checkbox"/>	<input type="checkbox"/>	<input type="checkbox"/>						
	15"	<input type="checkbox"/>	<input type="checkbox"/>	<input type="checkbox"/>	<input type="checkbox"/>					
	16"	<input type="checkbox"/>	<input type="checkbox"/>	<input type="checkbox"/>	<input type="checkbox"/>	<input type="checkbox"/>	<input type="checkbox"/>	<input type="checkbox"/>		<input type="checkbox"/>
	17"	<input type="checkbox"/>	<input type="checkbox"/>	<input type="checkbox"/>	<input type="checkbox"/>	<input type="checkbox"/>	<input type="checkbox"/>	<input type="checkbox"/>		<input type="checkbox"/>
	18"	<input type="checkbox"/>	<input type="checkbox"/>	<input type="checkbox"/>	<input type="checkbox"/>	<input type="checkbox"/>	<input type="checkbox"/>	<input type="checkbox"/>	<input type="checkbox"/>	<input type="checkbox"/>
	19"	<input type="checkbox"/>	<input type="checkbox"/>	<input type="checkbox"/>	<input type="checkbox"/>	<input type="checkbox"/>	<input type="checkbox"/>	<input type="checkbox"/>	<input type="checkbox"/>	<input type="checkbox"/>
	20"	<input type="checkbox"/>	<input type="checkbox"/>	<input type="checkbox"/>	<input type="checkbox"/>	<input type="checkbox"/>	<input type="checkbox"/>	<input type="checkbox"/>	<input type="checkbox"/>	<input type="checkbox"/>
	21"		<input type="checkbox"/>	<input type="checkbox"/>	<input type="checkbox"/>	<input type="checkbox"/>	<input type="checkbox"/>	<input type="checkbox"/>	<input type="checkbox"/>	<input type="checkbox"/>
22"		<input type="checkbox"/>	<input type="checkbox"/>	<input type="checkbox"/>	<input type="checkbox"/>	<input type="checkbox"/>	<input type="checkbox"/>	<input type="checkbox"/>	<input type="checkbox"/>	

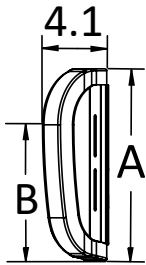
Solid Seat Insert Quantity: 1 2
 If no selection is made, quantity 1 will be selected

Axiom Back

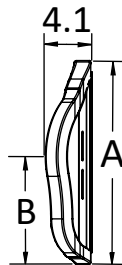
Select back that is the same or up to 2" narrower than the width of the frame. Hardware is included with back. Low Back selections are not available with headrests, modifications, or posture supports. Weight capacity: 300 lbs.

Axiom Posterior Back (PB)

		Width						
		12"	14"	16"	18"	20"	22"	
Retail		£499	£499	£499	£499	£499	£499	
Height	Low	8"	<input type="checkbox"/> AXPB1208	<input type="checkbox"/> AXPB1408	<input type="checkbox"/> AXPB1608	<input type="checkbox"/> AXPB1808	<input type="checkbox"/> AXPB2008	
		10"		<input type="checkbox"/> AXPB1410	<input type="checkbox"/> AXPB1610	<input type="checkbox"/> AXPB1810	<input type="checkbox"/> AXPB2010	<input type="checkbox"/> AXPB2210
		12"	<input type="checkbox"/> AXPB1212	<input type="checkbox"/> AXPB1412	<input type="checkbox"/> AXPB1612	<input type="checkbox"/> AXPB1812	<input type="checkbox"/> AXPB2012	
	Mid	14"		<input type="checkbox"/> AXPB1414	<input type="checkbox"/> AXPB1614	<input type="checkbox"/> AXPB1814	<input type="checkbox"/> AXPB2014	<input type="checkbox"/> AXPB2214
		16"	<input type="checkbox"/> AXPB1216	<input type="checkbox"/> AXPB1416	<input type="checkbox"/> AXPB1616	<input type="checkbox"/> AXPB1816	<input type="checkbox"/> AXPB2016	
		18"		<input type="checkbox"/> AXPB1418	<input type="checkbox"/> AXPB1618	<input type="checkbox"/> AXPB1818	<input type="checkbox"/> AXPB2018	<input type="checkbox"/> AXPB2218



Axiom Posterior Back - Low

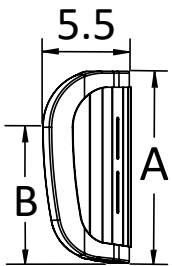


Axiom Posterior Back - Mid

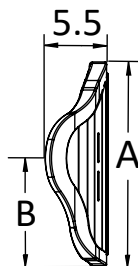
Axiom Posterior Back Measurement Reference					
		Back Height	A	B	Shell Contour Depth
Height	Low	8"	10"	6.5"	2.25"
		10"	12"	8.5"	
		12"	14"	10.5"	
	Mid	14"	16"	8.5"	
		16"	18"	9.5"	
		18"	20"	10.5"	

Axiom Posterior Lateral Back (PL)

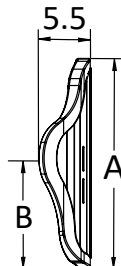
		Width						
		12"	14"	16"	18"	20"	22"	
Retail		£530	£530	£530	£530	£530	£530	
Height	Low	8"	<input type="checkbox"/> AXPL1208	<input type="checkbox"/> AXPL1408	<input type="checkbox"/> AXPL1608	<input type="checkbox"/> AXPL1808	<input type="checkbox"/> AXPL2008	
		10"		<input type="checkbox"/> AXPL1410	<input type="checkbox"/> AXPL1610	<input type="checkbox"/> AXPL1810	<input type="checkbox"/> AXPL2010	<input type="checkbox"/> AXPL2210
		12"	<input type="checkbox"/> AXPL1212	<input type="checkbox"/> AXPL1412	<input type="checkbox"/> AXPL1612	<input type="checkbox"/> AXPL1812	<input type="checkbox"/> AXPL2012	
	Mid	14"		<input type="checkbox"/> AXPL1414	<input type="checkbox"/> AXPL1614	<input type="checkbox"/> AXPL1814	<input type="checkbox"/> AXPL2014	<input type="checkbox"/> AXPL2214
		16"	<input type="checkbox"/> AXPL1216	<input type="checkbox"/> AXPL1416	<input type="checkbox"/> AXPL1616	<input type="checkbox"/> AXPL1816	<input type="checkbox"/> AXPL2016	
		18"		<input type="checkbox"/> AXPL1418	<input type="checkbox"/> AXPL1618	<input type="checkbox"/> AXPL1818	<input type="checkbox"/> AXPL2018	<input type="checkbox"/> AXPL2218
	Tall	20"	<input type="checkbox"/> AXPL1220	<input type="checkbox"/> AXPL1420	<input type="checkbox"/> AXPL1620	<input type="checkbox"/> AXPL1820	<input type="checkbox"/> AXPL2020	
		22"		<input type="checkbox"/> AXPL1422	<input type="checkbox"/> AXPL1622	<input type="checkbox"/> AXPL1822	<input type="checkbox"/> AXPL2022	<input type="checkbox"/> AXPL2222



Axiom Posterior Lateral Back - Low



Axiom Posterior Lateral Back - Mid



Axiom Posterior Lateral Back - Tall

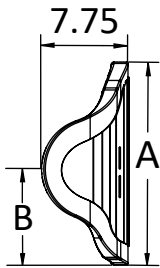
Axiom Posterior Lateral Back Measurement Reference					
		Back Height	A	B	Shell Contour Depth
Height	Low	8"	10"	6.5"	3.65"
		10"	12"	8.5"	
		12"	14"	10.5"	
	Mid	14"	16"	8.5"	
		16"	18"	9.5"	
		18"	20"	10.5"	
	Tall	20"	22"	11.5"	
		22"	24"	12.5"	

Axiom Back continued

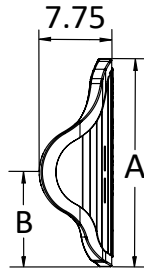
Select back that is the same or up to 2" narrower than the width of the frame. Hardware is included with back. Weight capacity: 300 lbs.

Axiom Deep Lateral Back (DL)

		Width						
		12"	14"	16"	18"	20"	22"	
Retail		£610	£610	£610	£610	£610	£610	
Height	Mid	14"	<input type="checkbox"/> AXDL1214	<input type="checkbox"/> AXDL1414	<input type="checkbox"/> AXDL1614	<input type="checkbox"/> AXDL1814	<input type="checkbox"/> AXDL2014	<input type="checkbox"/> AXDL2214
		16"		<input type="checkbox"/> AXDL1416	<input type="checkbox"/> AXDL1616	<input type="checkbox"/> AXDL1816	<input type="checkbox"/> AXDL2016	
		18"	<input type="checkbox"/> AXDL1218	<input type="checkbox"/> AXDL1418	<input type="checkbox"/> AXDL1618	<input type="checkbox"/> AXDL1818	<input type="checkbox"/> AXDL2018	<input type="checkbox"/> AXDL2218
	Tall	20"	<input type="checkbox"/> AXDL1220	<input type="checkbox"/> AXDL1420	<input type="checkbox"/> AXDL1620	<input type="checkbox"/> AXDL1820	<input type="checkbox"/> AXDL2020	
		22"		<input type="checkbox"/> AXDL1422	<input type="checkbox"/> AXDL1622	<input type="checkbox"/> AXDL1822	<input type="checkbox"/> AXDL2022	<input type="checkbox"/> AXDL2222



Axiom Deep Lateral Back - Mid



Axiom Deep Lateral Back - Tall

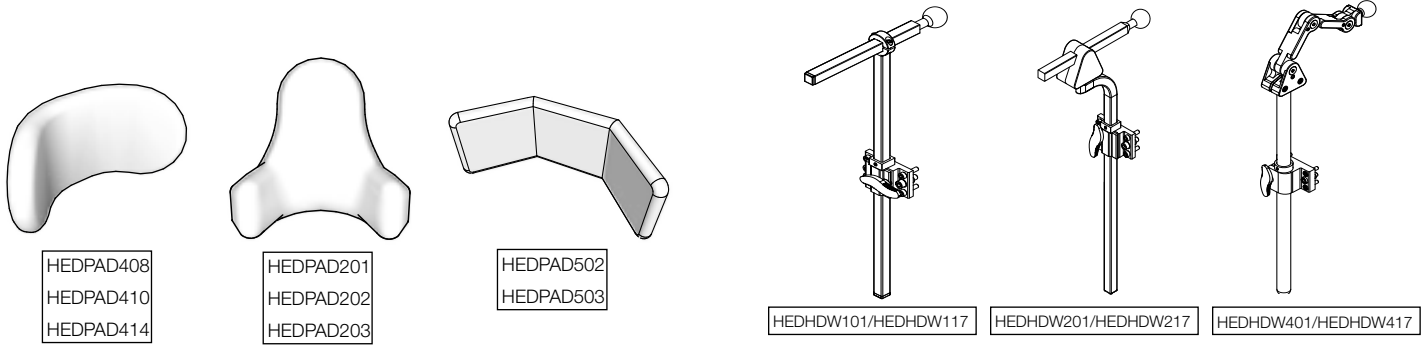
		Axiom Deep Lateral Back Measurement Reference							Shell Contour Depth	
		Back Height	A	B ¹						
Height	Mid	14"	16"	8.25"	8.25"	8.25"	8.25"	8.25"	8.25"	6"
		16"	18"	9.25"	9.25"	9.25"	9.25"	9.25"	9.25"	
		18"	20"	10.25"	10.25"	10.25"	10.25"	10.25"	10.25"	
	Tall	20"	22"	9.5"	9.75"	10"	10.25"	10.25"	10.5"	
		22"	24"	10.75"	11"	11.25"	11.5"	11.5"	11.75"	

¹ Measurement based on back width

Axiom Back Accessories

Headrest and Hardware

Choose headrest and hardware combination in chart below. Not available with Low Backs.



		Hardware						
		Standard Straight Back Mount Hardware with Ball		Multi Axis Removable Hardware with Horizontal Bar		Headrest Hardware with Ball		
		HEDHDW101 / HEDHDW117		HEDHDW201 / HEDHDW217		HEDHDW401 / HEDHDW417		
	Description	Item Code	Kio Code	Retail	Kio Code	Retail	Kio Code	Retail
Headrest Pad	Comfort Plus Headrest 8"	HEDPAD408	<input type="checkbox"/> HDR001	£233	<input type="checkbox"/> HDR009	£263	<input type="checkbox"/> HDR017	£326
	Comfort Plus Headrest 10"	HEDPAD410	<input type="checkbox"/> HDR002	£233	<input type="checkbox"/> HDR010	£263	<input type="checkbox"/> HDR018	£326
	Comfort Plus Headrest 14"	HEDPAD414	<input type="checkbox"/> HDR003	£233	<input type="checkbox"/> HDR011	£263	<input type="checkbox"/> HDR019	£326
	Small All Positioning Headrest Pad and Ring Only	HEDPAD201	<input type="checkbox"/> HDR004	£233	<input type="checkbox"/> HDR012	£263	<input type="checkbox"/> HDR020	£326
	Medium All Positioning Headrest Pad and Ring Only	HEDPAD202	<input type="checkbox"/> HDR005	£233	<input type="checkbox"/> HDR013	£263	<input type="checkbox"/> HDR021	£326
	Large All Positioning Headrest Pad and Ring Only	HEDPAD203	<input type="checkbox"/> HDR006	£233	<input type="checkbox"/> HDR014	£263	<input type="checkbox"/> HDR022	£326
	Tri-Comfort Plus Headrest 14"	HEDPAD502	<input type="checkbox"/> HDR007	£242	<input type="checkbox"/> HDR015	£272	<input type="checkbox"/> HDR023	£335
	Tri-Comfort Plus Headrest 19"	HEDPAD503	<input type="checkbox"/> HDR008	£242	<input type="checkbox"/> HDR016	£272	<input type="checkbox"/> HDR024	£335

Headrest Hardware Options

	Description	Item Code	Retail
<input type="checkbox"/>	Headrest Flip Down Mount <i>Available only with HEDHDW401/HEDHDW417</i>	HDR100	£147
<input type="checkbox"/>	Universal Mounting Plate <i>For use with other manufacturer headrests</i>	UMP	£37

Axiom Back Accessories continued

Lateral Support						
Pair	Left	Right	Description	Item Code	Pair	Each
Laterals for Posterior Back						
<input type="checkbox"/>	<input type="checkbox"/>	<input type="checkbox"/>	3 x 4 Lateral Pads with Fixed Mounting Hardware for Axiom Posterior Back	LF3x4P	£256	£128
<input type="checkbox"/>	<input type="checkbox"/>	<input type="checkbox"/>	4 x 5 Lateral Pads with Fixed Mounting Hardware for Axiom Posterior Back	LF4x5P	£256	£128
<input type="checkbox"/>	<input type="checkbox"/>	<input type="checkbox"/>	3 x 4 Lateral Pads with Swing Away Mounting Hardware for Axiom Posterior Back	LS3x4P	£546	£273
<input type="checkbox"/>	<input type="checkbox"/>	<input type="checkbox"/>	4 x 5 Lateral Pads with Swing Away Mounting Hardware for Axiom Posterior Back	LS4x5P	£546	£273
Laterals for Posterior Lateral Back						
<input type="checkbox"/>	<input type="checkbox"/>	<input type="checkbox"/>	3 x 4 Lateral Pads with Fixed Mounting Hardware for Axiom Posterior Lateral Back	LF3x4L	£256	£128
<input type="checkbox"/>	<input type="checkbox"/>	<input type="checkbox"/>	4 x 5 Lateral Pads with Fixed Mounting Hardware for Axiom Posterior Lateral Back	LF4x5L	£256	£128
<input type="checkbox"/>	<input type="checkbox"/>	<input type="checkbox"/>	3 x 4 Lateral Pads with Swing Away Mounting Hardware for Axiom Posterior Lateral Back	LS3x4L	£546	£273
<input type="checkbox"/>	<input type="checkbox"/>	<input type="checkbox"/>	4 x 5 Lateral Pads with Swing Away Mounting Hardware for Axiom Posterior Lateral Back	LS4x5L	£546	£273

Axiom Lateral Support Modifications

Extended lead times will apply. Modified Lateral Supports are not eligible for refund.

	Description	Item Code	Retail
<input type="checkbox"/>	Modification for Chest Strap attached to Lateral Supports	AXMLATMT	N/C

Privacy Flap

	Description	Retail
<input type="checkbox"/>	Privacy Flap	£38

Shoulder Guides

	Description	Item Code	Retail
<input type="checkbox"/>	Shoulder Strap Guides and Mount <i>Selection of a modification from the Axiom Back Modifications required in order to mount Shoulder Guides. Not available with Low Backs.</i>	AXBSG	£37

Therafin Posture Support

Selection of a modification from the Axiom Back Modifications section required in order to mount posture supports. Not available with Low Backs.

	Description	Item Code	Retail
<input type="checkbox"/>	Small Static Therafit 2-Piece Chest Strap with H & L Adj and 1" Safety Strap	60153T	£121
<input type="checkbox"/>	Medium Static Therafit 2-Piece Chest Strap with H & L Adj and 1" Safety Strap	60154T	£121
<input type="checkbox"/>	Large Static Therafit 2-Piece Chest Strap with H & L Adj and 1" Safety Strap	60155T	£121
<input type="checkbox"/>	Small Dynamic Therafit Chest Strap with Dual D-Ring Adjustment	60110T	£95
<input type="checkbox"/>	Medium Dynamic Therafit Chest Strap with Dual D-Ring Adjustment	60111T	£95
<input type="checkbox"/>	Large Dynamic Therafit Chest Strap with Dual D-Ring Adjustment	60112T	£95
<input type="checkbox"/>	Small Dynamic Therafit Comfortfit Full Vest	30589T	£140
<input type="checkbox"/>	Medium Dynamic Therafit Comfortfit Full Vest	30590T	£140
<input type="checkbox"/>	Large Dynamic Therafit Comfortfit Full Vest	30591T	£140
<input type="checkbox"/>	XLarge Dynamic Therafit Comfortfit Full Vest	30592T	£140
<input type="checkbox"/>	XXLarge Dynamic Therafit Comfortfit Full Vest	30593T	£140
<input type="checkbox"/>	Small Dynamic Therafit Comfortfit Trim Vest	30618T	£142
<input type="checkbox"/>	Medium Dynamic Therafit Comfortfit Trim Vest	30619T	£142
<input type="checkbox"/>	Large Dynamic Therafit Comfortfit Trim Vest	30620T	£142
<input type="checkbox"/>	XLarge Dynamic Therafit Comfortfit Trim Vest	30621T	£142
<input type="checkbox"/>	XXLarge Dynamic Therafit Comfortfit Trim Vest	30622T	£142

Axiom Back Modifications

Extended lead times will apply for all modifications. Makes back non-refundable.

Axiom Back Modifications

Choose modification to add holes to the back shell in order to mount posture supports. Not available with Low Backs.

	Description	Item Code	Retail
<input type="checkbox"/>	Modification for 4 Point Harness	AXM4PT	N/C
<input type="checkbox"/>	Modification for 2 Point Chest Strap	AXM2PT	N/C
<input type="checkbox"/>	Modification for Shoulder Guides	AXMSG	N/C

Painted Back Shell Modification

If no selection is made, standard Shadow Black will be used with no additional lead time

	Gloss Finish	Item Code	Retail
<input type="checkbox"/>	Black	AXMBLK	N/C
<input type="checkbox"/>	Blue Skies	AXMSKY	N/C
<input type="checkbox"/>	Bubblegum Pink	AXMPNK	N/C
<input type="checkbox"/>	Candy Blue	AXMCBL	N/C
<input type="checkbox"/>	Candy Purple	AXMPUR	N/C
<input type="checkbox"/>	Candy Red	AXMRED	N/C
<input type="checkbox"/>	Copper	AXMCOP	N/C
<input type="checkbox"/>	Granny Smith	AXMGSM	N/C
<input type="checkbox"/>	Metallic Orange	AXMMOR	N/C
<input type="checkbox"/>	Silver	AXMSIL	N/C
<input type="checkbox"/>	Teal	AXMTEA	N/C
<input type="checkbox"/>	Yellow	AXMYLW	N/C

	Matte Finish	Item Code	Retail
<input type="checkbox"/>	Charcoal Gray	AXMCGM	N/C
<input type="checkbox"/>	Emerald Green	AXMEGM	N/C
<input type="checkbox"/>	Iridescent Burgundy	AXMIBM	N/C
<input type="checkbox"/>	Iridescent Navy	AXMINM	N/C
<input type="checkbox"/>	Military Green	AXMAGM	N/C
<input type="checkbox"/>	Retro Red	AXMRRM	N/C
<input type="checkbox"/>	Royal Blue	AXMRBM	N/C
<input type="checkbox"/>	Smooth White	AXMSWM	N/C