



**CLIENT MEASUREMENTS** (all measurements without cushion)

**SEAT WIDTH SELECTION** - in mm; measured from outside frame tube to outside frame tube

|                       |                       |                       |                       |                       |                       |                       |                       |
|-----------------------|-----------------------|-----------------------|-----------------------|-----------------------|-----------------------|-----------------------|-----------------------|
| 320                   | 340                   | 360                   | 380                   | 400                   | 420                   | 440                   | 460                   |
| <input type="radio"/> | <input type="radio"/> | <input type="radio"/> | <input type="radio"/> | <input type="radio"/> | <input type="radio"/> | <input type="radio"/> | <input type="radio"/> |

**SEAT DEPTH SELECTION** - in mm

|                       |                       |                       |                       |                       |                       |                       |                       |
|-----------------------|-----------------------|-----------------------|-----------------------|-----------------------|-----------------------|-----------------------|-----------------------|
| 340                   | 360                   | 380                   | 400                   | 420                   | 440                   | 460                   | 480                   |
| <input type="radio"/> | <input type="radio"/> | <input type="radio"/> | <input type="radio"/> | <input type="radio"/> | <input type="radio"/> | <input type="radio"/> | <input type="radio"/> |

**FRONT SEAT HEIGHT SELECTION** - in dependance of front castor size, fork, frame height version

The high frame is 40 mm higher than the low frame.

Front seat height in mm

|              |          | Fork (length) | Frame: | 430                   | 440                   | 450                   | 460                   | 470                   | 480                   | 490                   | 500                   | 510                   | 520                   | 530                   | 540                   | 550                   |  |
|--------------|----------|---------------|--------|-----------------------|-----------------------|-----------------------|-----------------------|-----------------------|-----------------------|-----------------------|-----------------------|-----------------------|-----------------------|-----------------------|-----------------------|-----------------------|--|
| Front Castor | 3"       | 111 mm        | low    | <input type="radio"/> | <input type="radio"/> | <input type="radio"/> |                       |                       |                       |                       |                       |                       |                       |                       |                       |                       |  |
|              |          | 123 mm        |        | <input type="radio"/> | <input type="radio"/> | <input type="radio"/> |                       |                       |                       |                       |                       |                       |                       |                       |                       |                       |  |
|              |          | Frog Leg      |        |                       |                       |                       | <input type="radio"/> | <input type="radio"/> |                       |                       |                       |                       |                       |                       |                       |                       |  |
|              |          | One Arm       |        | <input type="radio"/> | <input type="radio"/> | <input type="radio"/> |                       |                       |                       |                       |                       |                       |                       |                       |                       |                       |  |
|              |          | 111 mm        | high   |                       |                       |                       | <input type="radio"/> | <input type="radio"/> | <input type="radio"/> |                       |                       |                       |                       |                       |                       |                       |  |
|              |          | 123 mm        |        |                       |                       |                       |                       |                       | <input type="radio"/> | <input type="radio"/> | <input type="radio"/> |                       |                       |                       |                       |                       |  |
|              |          | Frog Leg      |        |                       |                       |                       |                       |                       |                       |                       |                       | <input type="radio"/> | <input type="radio"/> |                       |                       |                       |  |
|              |          | One Arm       |        |                       |                       |                       | <input type="radio"/> | <input type="radio"/> | <input type="radio"/> |                       |                       |                       |                       |                       |                       |                       |  |
|              | 4"       | 111 mm        | low    |                       | <input type="radio"/> | <input type="radio"/> | <input type="radio"/> | <input type="radio"/> |                       |                       |                       |                       |                       |                       |                       |                       |  |
|              |          | 123 mm        |        |                       |                       | <input type="radio"/> | <input type="radio"/> | <input type="radio"/> | <input type="radio"/> |                       |                       |                       |                       |                       |                       |                       |  |
|              |          | Frog Leg      |        |                       |                       |                       |                       | <input type="radio"/> | <input type="radio"/> | <input type="radio"/> |                       |                       |                       |                       |                       |                       |  |
|              |          | One Arm       |        |                       | <input type="radio"/> | <input type="radio"/> | <input type="radio"/> | <input type="radio"/> |                       |                       |                       |                       |                       |                       |                       |                       |  |
|              |          | 111 mm        | high   |                       |                       |                       |                       |                       | <input type="radio"/> | <input type="radio"/> | <input type="radio"/> | <input type="radio"/> |                       |                       |                       |                       |  |
|              |          | 123 mm        |        |                       |                       |                       |                       |                       |                       |                       | <input type="radio"/> | <input type="radio"/> | <input type="radio"/> | <input type="radio"/> |                       |                       |  |
|              |          | Frog Leg      |        |                       |                       |                       |                       |                       |                       |                       |                       |                       | <input type="radio"/> | <input type="radio"/> | <input type="radio"/> |                       |  |
|              |          | One Arm       |        |                       |                       |                       |                       |                       | <input type="radio"/> | <input type="radio"/> | <input type="radio"/> | <input type="radio"/> | <input type="radio"/> |                       |                       |                       |  |
|              | 5"       | 111 mm        | low    |                       |                       |                       | <input type="radio"/> | <input type="radio"/> | <input type="radio"/> |                       |                       |                       |                       |                       |                       |                       |  |
|              |          | 123 mm        |        |                       |                       |                       |                       | <input type="radio"/> | <input type="radio"/> | <input type="radio"/> |                       |                       |                       |                       |                       |                       |  |
|              |          | Frog Leg      |        |                       |                       |                       |                       |                       |                       | <input type="radio"/> | <input type="radio"/> | <input type="radio"/> |                       |                       |                       |                       |  |
|              |          | One Arm       |        |                       |                       |                       | <input type="radio"/> | <input type="radio"/> | <input type="radio"/> |                       |                       |                       |                       |                       |                       |                       |  |
|              |          | 111 mm        | high   |                       |                       |                       |                       |                       |                       |                       | <input type="radio"/> | <input type="radio"/> | <input type="radio"/> |                       |                       |                       |  |
|              |          | 123 mm        |        |                       |                       |                       |                       |                       |                       |                       |                       | <input type="radio"/> | <input type="radio"/> | <input type="radio"/> | <input type="radio"/> |                       |  |
|              |          | Frog Leg      |        |                       |                       |                       |                       |                       |                       |                       |                       |                       | <input type="radio"/> | <input type="radio"/> | <input type="radio"/> | <input type="radio"/> |  |
|              |          | One Arm       |        |                       |                       |                       |                       |                       |                       |                       |                       | <input type="radio"/> | <input type="radio"/> | <input type="radio"/> | <input type="radio"/> | <input type="radio"/> |  |
| 6"           | 123 mm   | high          |        |                       |                       |                       |                       |                       |                       |                       |                       |                       | <input type="radio"/> | <input type="radio"/> | <input type="radio"/> |                       |  |
|              | Frog Leg |               |        |                       |                       |                       |                       |                       |                       |                       |                       |                       | <input type="radio"/> | <input type="radio"/> | <input type="radio"/> | <input type="radio"/> |  |

**REAR SEAT HEIGHT SELECTION** - in dependance of rear wheel size

The rear seat height is adjustable  $\pm 10$  mm.

The rear seat height can only be between 0 mm and 110 mm below the selected front seat height.

**Caution:** with rear seat heights 460 mm and above, the width between the sideguards increases by 35 mm

Rear seat height in mm

| Rear Wheels | 380                                  | 390                                  | 400                                  | 410                                  | 420                   | 430                   | 440                   | 450                   | 460                   | 470                   | 480                   | 490                                  | 500                                  |
|-------------|--------------------------------------|--------------------------------------|--------------------------------------|--------------------------------------|-----------------------|-----------------------|-----------------------|-----------------------|-----------------------|-----------------------|-----------------------|--------------------------------------|--------------------------------------|
| 24"         | <input type="radio"/> <sup>(1)</sup> | <input type="radio"/> <sup>(2)</sup> | <input type="radio"/> <sup>(2)</sup> | <input type="radio"/>                | <input type="radio"/> | <input type="radio"/> | <input type="radio"/> | <input type="radio"/> | <input type="radio"/> | <input type="radio"/> | <input type="radio"/> | <input type="radio"/> <sup>(3)</sup> |                                      |
| 25"         |                                      | <input type="radio"/> <sup>(1)</sup> | <input type="radio"/> <sup>(2)</sup> | <input type="radio"/> <sup>(2)</sup> | <input type="radio"/> | <input type="radio"/> | <input type="radio"/> | <input type="radio"/> | <input type="radio"/> | <input type="radio"/> | <input type="radio"/> | <input type="radio"/>                | <input type="radio"/> <sup>(3)</sup> |

(1): No adjustment of rear seat-height possible

(2): No downwards-adjustment of rear-seat-height possible. Only +1 cm adjustable.

(3): No upwards-adjustment of rear-seat-height possible. Only -1 cm adjustable.

**SEAT UPHOLSTERIES AND CUSHIONS****Seat Sling**

|           |   |            |                               |
|-----------|---|------------|-------------------------------|
| KRR020012 | <input type="radio"/> Seat sling "airflow" with 1 utility bag                             |            |                               |
| KRR020019 | <input type="radio"/> Seat sling "airflow" superlight. Without bags, max user weight 85kg | <b>(1)</b> | <b>(L)</b>                    |
| KRR020017 | <input type="checkbox"/> Seat sling "airflow" with 2 utility bags                         |            | 131                           |
| KRR020018 | <input type="checkbox"/> Seat sling "airflow" with utility bag and catheter bag           |            | 131<br><i>(from SW 340mm)</i> |
| KRR020000 | <input type="radio"/> Without seat sling  |            |                               |

**Seat cushion black cover**

|                     |            |           |                                |           |                                |    |
|---------------------|------------|-----------|--------------------------------|-----------|--------------------------------|----|
| Foam: (medium soft) | Thickness: | KRR020101 | <input type="checkbox"/> 30 mm | KRR020102 | <input type="checkbox"/> 50 mm | 80 |
| Latex: (very soft)  | Thickness: | KRR020103 | <input type="checkbox"/> 50 mm |           |                                | 80 |

**JAY Cushions - for complete product range see Jay order forms**

|           |  |     |
|-----------|--|-----|
| JAY020002 | <input type="checkbox"/> JAY Basic                   | 69  |
| JAY020003 | <input type="checkbox"/> JAY Soft Combi P            | 98  |
| JAY020001 | <input type="checkbox"/> JAY Easy Visco, Curved Base | 167 |
| JAY020007 | <input type="checkbox"/> JAY Easy Fluid, Curved Base | 272 |
| JAY020004 | <input type="checkbox"/> JAY Lite                    | 389 |

**Seat accessories**

|           |   |    |
|-----------|---|----|
| KRR090018 | <input type="checkbox"/> Positioning belt (only with Standard backrest) | 51 |
|-----------|---|----|

**BACKREST**

| KRR030001                 | <input type="radio"/> <b>Standard backrest (aluminium, black)</b><br>Choose back height factory setting (mm).<br>Height adjustments possible in the range 250-300; 300-400; 400-450 mm. |   |                           |           |           |           |                           |                           |                           |                           |                           |                           |                           |                           |                           |                           |                           |                           |  |
|---------------------------|---|---|---------------------------|-----------|-----------|-----------|---------------------------|---------------------------|---------------------------|---------------------------|---------------------------|---------------------------|---------------------------|---------------------------|---------------------------|---------------------------|---------------------------|---------------------------|--|
|                           |   | <table border="1"> <thead> <tr> <th>250 - 300</th> <th>300 - 350</th> <th>350 - 400</th> <th>400 - 450</th> </tr> </thead> <tbody> <tr> <td><input type="radio"/> 250</td> <td><input type="radio"/> 300</td> <td><input type="radio"/> 350</td> <td><input type="radio"/> 400</td> </tr> <tr> <td><input type="radio"/> 275</td> <td><input type="radio"/> 325</td> <td><input type="radio"/> 375</td> <td><input type="radio"/> 425</td> </tr> <tr> <td><input type="radio"/> 300</td> <td><input type="radio"/> 350</td> <td><input type="radio"/> 400</td> <td><input type="radio"/> 450</td> </tr> </tbody> </table> | 250 - 300                 | 300 - 350 | 350 - 400 | 400 - 450 | <input type="radio"/> 250 | <input type="radio"/> 300 | <input type="radio"/> 350 | <input type="radio"/> 400 | <input type="radio"/> 275 | <input type="radio"/> 325 | <input type="radio"/> 375 | <input type="radio"/> 425 | <input type="radio"/> 300 | <input type="radio"/> 350 | <input type="radio"/> 400 | <input type="radio"/> 450 |  |
| 250 - 300                 | 300 - 350   | 350 - 400   | 400 - 450                 |           |           |           |                           |                           |                           |                           |                           |                           |                           |                           |                           |                           |                           |                           |  |
| <input type="radio"/> 250 | <input type="radio"/> 300   | <input type="radio"/> 350   | <input type="radio"/> 400 |           |           |           |                           |                           |                           |                           |                           |                           |                           |                           |                           |                           |                           |                           |  |
| <input type="radio"/> 275 | <input type="radio"/> 325   | <input type="radio"/> 375   | <input type="radio"/> 425 |           |           |           |                           |                           |                           |                           |                           |                           |                           |                           |                           |                           |                           |                           |  |
| <input type="radio"/> 300 | <input type="radio"/> 350   | <input type="radio"/> 400   | <input type="radio"/> 450 |           |           |           |                           |                           |                           |                           |                           |                           |                           |                           |                           |                           |                           |                           |  |

|                           |  |  |                           |                           |                           |                           |                           |                           |                           |                           |                           |  |
|---------------------------|--|--|---------------------------|---------------------------|---------------------------|---------------------------|---------------------------|---------------------------|---------------------------|---------------------------|---------------------------|--|
| KRR030006                 | <input type="checkbox"/> <b>Carbon backrest - fixed height, crosstube very close to the upholstery, "Krypton" rubber grip (2) (L)</b><br>Choose back height (mm)<br>no height adjustment possible. |  | 281                       |                           |                           |                           |                           |                           |                           |                           |                           |  |
|                           |  | <table border="1"> <tbody> <tr> <td><input type="radio"/> 250</td> <td><input type="radio"/> 325</td> <td><input type="radio"/> 400</td> </tr> <tr> <td><input type="radio"/> 275</td> <td><input type="radio"/> 350</td> <td><input type="radio"/> 425</td> </tr> <tr> <td><input type="radio"/> 300</td> <td><input type="radio"/> 375</td> <td><input type="radio"/> 450</td> </tr> </tbody> </table> | <input type="radio"/> 250 | <input type="radio"/> 325 | <input type="radio"/> 400 | <input type="radio"/> 275 | <input type="radio"/> 350 | <input type="radio"/> 425 | <input type="radio"/> 300 | <input type="radio"/> 375 | <input type="radio"/> 450 |  |
| <input type="radio"/> 250 | <input type="radio"/> 325  | <input type="radio"/> 400  |                           |                           |                           |                           |                           |                           |                           |                           |                           |  |
| <input type="radio"/> 275 | <input type="radio"/> 350  | <input type="radio"/> 425  |                           |                           |                           |                           |                           |                           |                           |                           |                           |  |
| <input type="radio"/> 300 | <input type="radio"/> 375  | <input type="radio"/> 450  |                           |                           |                           |                           |                           |                           |                           |                           |                           |  |

|           |   |  |    |
|-----------|---|--|----|
| KRR030102 | <input type="checkbox"/> Backrest, angle-adjustable, fold-down, locked when folded, colour: <span style="float: right;">(-31° to +15°)</span><br>Colour: <input checked="" type="radio"/> Black <input type="radio"/> Orange <input type="radio"/> Silver <input type="radio"/> Red <input type="radio"/> Blue<br>KRR030036 KRR030037 KRR030038 KRR030039 |  | 65 |
|-----------|---|--|----|

|           |   |                       |                                  |
|-----------|---|-----------------------|----------------------------------|
| KRR030012 | <input type="radio"/> Backrest, angle-adjustable (non foldable) | <i>(-31° to +15°)</i> | <i>(only in black anodizing)</i> |
| KRR030015 | <input type="radio"/> Backrest, angle-adjustable, fold-down     | <i>(-31° to +15°)</i> | <i>(only in black anodizing)</i> |

**Push handles: choose only one option**

|           |   |            |   |
|-----------|---|------------|---|
| KRR030200 | <input type="radio"/> Omit push handles                         | <b>(L)</b> |   |
| KRR030203 | <input type="checkbox"/> Fold-down push handles                 |            | 131<br><i>(from 325mm backrest-height)</i>                              |
| KRR030201 | <input type="checkbox"/> Push handles long                      |            | 131   |
| KRR030204 | <input type="checkbox"/> Height adj. push handles               | <b>(+)</b> | 262<br><i>(only with Standard backrest; from 325mm backrest height)</i> |
| KRR030205 | <input type="checkbox"/> Height adj. push handles for Jay backs | <b>(+)</b> | 262<br><i>(only with Standard backrest; from 325mm backrest height)</i> |

**Backrest upholstery**

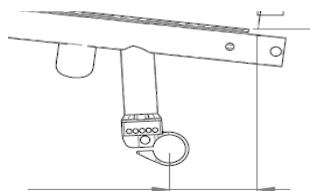
|           |  |  |     |
|-----------|--|--|-----|
| KRR030005 | <input type="radio"/> EXO superlight Backrest sling, synthetic fibre, padded, adjustable, black (Evo Exo Version) <b>(L)</b><br>Colour, binding tape: <input checked="" type="radio"/> Black <input type="radio"/> Orange <input type="radio"/> Silver <input type="radio"/> Red <input type="radio"/> Blue                  |  |     |
| KRR030316 | <input type="radio"/> EXO Backrest sling, synthetic fibre, padded, adjustable, 1 accessory bag, black (Evo Exo Version)<br>Colour, binding tape: <input checked="" type="radio"/> Black <input type="radio"/> Orange <input type="radio"/> Silver <input type="radio"/> Red <input type="radio"/> Blue                       |  |     |
| KRR030317 | <input type="checkbox"/> EXO PRO Backrest, synthetic fibre, padded, adj., breathable, spacer fabric, 1 accessory bag, black (Evo Exo Version)<br>Colour, binding tape: <input checked="" type="radio"/> Black <input type="radio"/> Orange <input type="radio"/> Silver <input type="radio"/> Red <input type="radio"/> Blue |  | 178 |
| KRR030000 | <input type="radio"/> Without backrest upholstery  |  |     |

(1): **Max. user weight 85 kg, only available up to seat-width 400 mm**(2): **Not with height adj push handles, not with Jay J3 backs, not with positioning-belt****(L)= lightest option (+)= adds 500 g or more to the wheelchair-weight**

|  |  |                 |                                    | £  |                                    |               |     |
|--|--|-----------------|------------------------------------|--|------------------------------------|---------------|-----|
| <b>JAY 3 BACKS AND ACCESSORIES - only with Standard backrest (+)</b>   |  |                 |                                    |  |                                    |               |     |
| <b>Jay 3 Back - Shallow Contour</b>  |  |                 |                                    |  |                                    |               |     |
| Mid Thoracic:  | <input type="checkbox"/> JAY030010   | Medium - 340 mm | <input type="checkbox"/> JAY030033 | Tall - 380 mm                                | 640                                |               |     |
| Upper Thoracic:  | <input type="checkbox"/> JAY030012   | Short - 420 mm  | <input type="checkbox"/> JAY030019 | Medium - 460 mm                              | <input type="checkbox"/> JAY030025 | Tall - 500 mm | 724 |
| <b>Jay 3 Back - Mid Contour</b>  |  |                 |                                    |  |                                    |               |     |
| Mid Thoracic:  | <input type="checkbox"/> JAY030011   | Medium - 340 mm | <input type="checkbox"/> JAY030018 | Tall - 380 mm                                | 640                                |               |     |
| Upper Thoracic:  | <input type="checkbox"/> JAY030013   | Short - 420 mm  | <input type="checkbox"/> JAY030020 | Medium - 460 mm                              | <input type="checkbox"/> JAY030026 | Tall - 500 mm | 724 |
| <b>Jay 3 Carbon Back - Shallow Contour</b>   |  |                 |                                    |  |                                    |               |     |
| Lower Thoracic:  | <input type="checkbox"/> JAY060001   | Short - 170 mm  | <input type="checkbox"/> JAY060002 | Tall - 240 mm                                | 766                                |               |     |
| Mid Thoracic:  | <input type="checkbox"/> JAY060003   | Short - 300 mm  | <input type="checkbox"/> JAY060004 | Tall - 380 mm                                | 766                                |               |     |
| <b>Accessories for JAY 3 Backs</b>   |  |                 |                                    |  |                                    |               |     |
| WHT030415  | <input type="checkbox"/> Whitmyer Headrest, COBRA XTRA, flip back  |                 |                                    | <i>(only with Jay 3 backs)</i>               | 322                                |               |     |
| WHT030416  | <input type="checkbox"/> Whitmyer Headrest, AXYS, Standard   |                 |                                    | <i>(only with Jay 3 backs)</i>               | 175                                |               |     |
| JAY090058  | <input type="checkbox"/> JAY Accessory bag   |                 |                                    | <i>(only with Jay 3 Carbon backs)</i>        | 58                                 |               |     |
| <b>SIDEGUARDS AND ARMRESTS</b>   |  |                 |                                    |  |                                    |               |     |
| KRR040107  | <input type="radio"/> Sideguard, composite, removable, 21 cm high (31 cm long), black                            |                 |                                    |  |                                    |               |     |
| KRR040101  | <input type="checkbox"/> Sideguard, carbon fibre, slim, black  | (1)             | (L)                                |  | 244                                |               |     |
| KRR040102  | <input type="checkbox"/> Sideguard, aluminium, cold weather protection (colour: black, matt)                     |                 |                                    |  | 213                                |               |     |
| KRR040103  | <input type="checkbox"/> Sideguard, aluminium, fender, cold weather protection (colour: black, matt)             |                 |                                    | <i>(min rear seat height 390 mm)</i>         | 293                                |               |     |
| KRR040104  | <input type="checkbox"/> Sideguard, carbon fibre, fender, cold weather protection, black                         |                 |                                    | <i>(min rear seat height 390 mm)</i>         | 383                                |               |     |
| KRR040052  | <input type="checkbox"/> Single-post sideguard, armpad (330 mm), depth adjustable, height-adjustable, removable  | (2)             | (+)                                |  | 244                                |               |     |
| KRR040117  | <input type="checkbox"/> Tubular armrest, Alu, swing away (sideways), padded, removable                          |                 |                                    | (+)  | 245                                |               |     |
| KRR040000  | <input type="radio"/> w/o Sideguard  |                 |                                    |  |                                    |               |     |
| <b>FOOTREST AND FOOTPLATES</b>   |  |                 |                                    |  |                                    |               |     |
| KRR050029  | <input checked="" type="radio"/> Footrest, tubular, lightweight, aluminium                                       |                 |                                    | (L)  |                                    |               |     |
| KRR050026  | <input type="checkbox"/> Platform footplate lightweight angle & depth adjustable carbon                          |                 |                                    |  | 370                                |               |     |
| KRR050125  | <input type="checkbox"/> Performance footplate angle adjustable  | (3)             |                                    |  | 268                                |               |     |
| KRR050030  | <input type="checkbox"/> Footrest, tubular, lightweight, aluminium, with cover                                   |                 |                                    |  | 88                                 |               |     |
| KRR050025  | <input type="checkbox"/> Platform footplate lightweight angle & depth adjustable composite                       |                 |                                    |  | 180                                |               |     |
| KRR050024  | <input type="checkbox"/> Platform footplate lightweight angle & depth adjustable aluminium (colour: black, matt) |                 |                                    |  | 180                                |               |     |
| KRR050128  | <input type="checkbox"/> Footboard, platform, plastic, angle and depth adjustable, flip-up (to the back)         | (4)             |                                    |  | 196                                |               |     |
| KRR050127  | <input type="checkbox"/> Adjustable side protection, to create a side-stop on the footboard                      | (5)             |                                    |  | 25                                 |               |     |
| <b>LOWER LEG LENGTH (LLL) Attention: LLL has to be 30 mm less than seat height front; all measurements in mm</b>   |  |                 |                                    |  |                                    |               |     |
| <input type="radio"/> 360 <input type="radio"/> 370 <input type="radio"/> 380 <input type="radio"/> 390 <input type="radio"/> 400 <input type="radio"/> 410 <input type="radio"/> 420 <input type="radio"/> 430<br><input type="radio"/> 440 <input type="radio"/> 450 <input type="radio"/> 460 <input type="radio"/> 470 <input type="radio"/> 480 <input type="radio"/> 490 <input type="radio"/> 500 <input type="radio"/> 510 |  |                 |                                    |  |                                    |               |     |
| <b>FRAME VERSIONS</b>  |  |                 |                                    |  |                                    |               |     |
| <b>Frame length</b>  |  |                 |                                    |  |                                    |               |     |
| KRR010206  | <input checked="" type="radio"/> Frame standard  |                 |                                    |  |                                    |               |     |
| KRR010207  | <input type="radio"/> Frame long (20 mm additional frame length)   |                 |                                    | <i>(not in combination with SD 480 mm)</i>   |                                    |               |     |
| <b>Frame angle</b>   |  |                 |                                    |  |                                    |               |     |
| KRR010012  | <input checked="" type="radio"/> 100° frame (UK 80°)   |                 |                                    |  |                                    |               |     |
| KRR010013  | <input type="checkbox"/> 92° Performance frame (UK 88°)  |                 |                                    |  | 141                                |               |     |
| <b>Frame inset</b>   |  |                 |                                    |  |                                    |               |     |
| KRR010101  | <input checked="" type="radio"/> Inset: Small (10 mm)  |                 |                                    |  |                                    |               |     |
| KRR010103  | <input type="checkbox"/> Inset: Performance (30 mm)  |                 |                                    | <i>(not available for seat width 320 mm)</i> | 141                                |               |     |
| <b>Castor position (see explanation on back pages)</b>   |  |                 |                                    |  |                                    |               |     |
| KRR010301  | <input checked="" type="radio"/> Castor house position wide  |                 |                                    |  |                                    |               |     |
| KRR010302  | <input type="radio"/> Castor house position narrow   |                 |                                    |  |                                    |               |     |
| (1)  | <i>With 24" rear wheel min. rear seat height 410 mm; with 25" rear wheel min. rear seat height 430 mm</i>        |                 |                                    |  |                                    |               |     |
| (2)  | <i>Only with COG 56 mm</i>   |                 |                                    |  |                                    |               |     |
| (3)  | <i>Not with SW 320 mm and 30 mm inset</i>  |                 |                                    |  |                                    |               |     |
| (4)  | <i>User weight limitation 75 kg, not with 4" castor</i>  |                 |                                    |  |                                    |               |     |
| (5)  | <i>Only for platform footplates lightweight angle &amp; depth adjustable</i>                                     |                 |                                    |  |                                    |               |     |
|  | <i>(L)= lightest option (+)= adds 500 g or more to the wheelchair-weight</i>                                     |                 |                                    |  |                                    |               |     |

**CENTRE OF GRAVITY (COG)** - all measurements are in mm; measured from front of back post; choose only one option

|        |                       |        |
|--------|-----------------------|--------|
| COG56  | <input type="radio"/> | 56 mm  |
| COG68  | <input type="radio"/> | 68 mm  |
| COG80  | <input type="radio"/> | 80 mm  |
| COG92  | <input type="radio"/> | 92 mm  |
| COG104 | <input type="radio"/> | 104 mm |

**FRAME ACCESSORIES**

|   |                                     |  |            |                          |  |                                     |
|---|-------------------------------------|--|------------|--------------------------|--|-------------------------------------|
| KRR090031                                   | <input type="checkbox"/>            | Suspension up to 70 kg                               | <b>(1)</b> | <b>(+)</b>               | (chair will be built using aluminium axle-stems and axle-tube) | 546                                 |
| KRR090032                                   | <input type="checkbox"/>            | Suspension up to 120 kg                              | <b>(1)</b> | <b>(+)</b>               | (chair will be built using aluminium axle-stems and axle-tube) | 546                                 |
| <b>Anti tip flip up (user operated) (2)</b> |                                     |  |            |                          |  |                                     |
| KRR090033                                   | <input type="radio"/>               | Left   | KRR090008  | <input type="radio"/>    | Right  | <b>(+)</b> (Please choose only one) |
| <b>Tip assist (step tube) (2)</b>           |                                     |  |            |                          |  |                                     |
| KRR090001                                   | <input type="checkbox"/>            | Left   | KRR090002  | <input type="checkbox"/> | Right  | 34                                  |
| KRR090003                                   | <input type="checkbox"/>            | Pair   |            |                          | (not available with anti-tip)                                  | 68                                  |
| KRR090009                                   | <input type="checkbox"/>            | Crutch holder  |            |                          | (only in combination with tip assist)                          | 81                                  |
| <b>Anti-tip tubes swing-away (2)</b>        |                                     |  |            |                          |  |                                     |
| KRR090004                                   | <input type="checkbox"/>            | Left   | KRR090005  | <input type="checkbox"/> | Right  | <b>(+)</b> 106                      |
| KRR090006                                   | <input type="checkbox"/>            | Pair   |            |                          | (not available with tip-assist)                                | 213                                 |
| KRR090007                                   | <input type="checkbox"/>            | Quickie style anti-tip tubes pluggable               | <b>(2)</b> | <b>(+)</b>               | (Pair)   | 88                                  |
| KRF090016                                   | <input checked="" type="checkbox"/> | Frame protection, black                              |            |                          | (textile, with velcro)   |                                     |
| KRR090577                                   | <input type="checkbox"/>            | Frame protection, Plastic, glued to the frame, black |            |                          |  | 81                                  |
| KRR090010                                   | <input type="checkbox"/>            | Transit wheels                                       | <b>(2)</b> | <b>(+)</b>               |  | 234                                 |

**FORKS**

|           |                                  |  |                       |        |                       |        |                       |     |            |                       |      |   |     |
|-----------|----------------------------------|--|-----------------------|--------|-----------------------|--------|-----------------------|-----|------------|-----------------------|------|---|-----|
| KRR080013 | <input type="radio"/>            | Castor fork, Carbotecture®, 111mm                      | <b>(L)</b>            |        |                       |        |                       |     |            |                       |      |   |     |
| Colour:   | <input checked="" type="radio"/> | Black  | <input type="radio"/> | Silver | <input type="radio"/> | Orange | <input type="radio"/> | Red | <b>(3)</b> | <input type="radio"/> | Blue | <b>(3)</b>                              |     |
| KRR080029 | <input type="radio"/>            | Castor fork, Aluminium, 123mm                          |                       |        |                       |        |                       |     |            |                       |      |   |     |
| Colour:   | <input checked="" type="radio"/> | Black  | <input type="radio"/> | Silver | <input type="radio"/> | Orange |                       |     |            |                       |      |   |     |
| KRR080008 | <input type="checkbox"/>         | Castor fork, aluminium, one-arm                        |                       |        |                       |        |                       |     |            |                       |      | (only with 4" & 5" Alu soft, Alu solid) | 204 |
| Colour:   | <input checked="" type="radio"/> | Black  | <input type="radio"/> | Silver | <input type="radio"/> | Orange | <input type="radio"/> | Red |            | <input type="radio"/> | Blue |   |     |
| KRR080007 | <input type="checkbox"/>         | Castor fork, aluminium, suspension (Frog Legs®), black | <b>(+)</b>            |        |                       |        |                       |     |            |                       |      |   | 342 |

**CASTORS**

|              |                                  |   |                       |       |                       |        |                       |     |  |                       |      |   |    |
|--------------|----------------------------------|---|-----------------------|-------|-----------------------|--------|-----------------------|-----|--|-----------------------|------|---|----|
| KRR080306    | <input type="radio"/>            | Castor, solid (soft), rim: aluminium        |                       |       |                       |        |                       |     |  |                       |      | (only 4" and 5")                        |    |
| Colour, rim: | <input checked="" type="radio"/> | Silver                                      | <input type="radio"/> | Black | <input type="radio"/> | Orange | <input type="radio"/> | Red |  | <input type="radio"/> | Blue |   |    |
| KRR080304    | <input type="radio"/>            | Castor, solid (hard), rim: aluminium        | Colour, rim: Silver   |       |                       |        |                       |     |  |                       |      | (only 4" and 5")                        |    |
| KRR080301    | <input type="checkbox"/>         | Castor, solid (hard), rim: composite, black |                       |       |                       |        |                       |     |  |                       |      | (3"-6", not with One arm fork)          | 96 |
| KRR080302    | <input type="checkbox"/>         | Castor, solid (soft), rim: composite, black |                       |       |                       |        |                       |     |  |                       |      | (only 5" and 6", not with One arm fork) | 96 |

**REAR WHEELS**

|           |                          |   |            |  |  |  |  |  |  |  |  |   |     |
|-----------|--------------------------|---|------------|--|--|--|--|--|--|--|--|---|-----|
| KRR070003 | <input type="radio"/>    | Rear wheel, Lightweight, 24 spokes (silver), straight spokes          |            |  |  |  |  |  |  |  |  | (Std.: black hub/rim; colour options last page) |     |
| KRR070004 | <input type="checkbox"/> | Rear wheel, Proton, 24 spokes (black), straight spokes                | <b>(L)</b> |  |  |  |  |  |  |  |  | (user weight limit 100kg)                       | 262 |
| KRR070005 | <input type="checkbox"/> | Rear wheel, Spinergy, 18 spokes (black), straight spokes; hub: silver |            |  |  |  |  |  |  |  |  |   | 529 |
| KRR070007 | <input type="checkbox"/> | Rear wheel, Spinergy, 12 spokes (black), straight spokes, hub black   |            |  |  |  |  |  |  |  |  |   | 815 |
| KRR070000 | <input type="radio"/>    | Without rear wheel  |            |  |  |  |  |  |  |  |  |   |     |

**(1):** Not possible with carbon axle-stems and axle: chair will be built with aluminium axle-stems and axle-tube**(2):** Not with KRR07049: camber adapter 0°, superlight.**(3):** Red and blue only in combination with soft castor**(L)**= lightest option **(+)**= adds 500 g or more to the wheelchair-weight

|   |   |                | £   |
|---|---|----------------|---|
| <b>TYRES</b>                                |   |                | <i>(choose only one tyre type)</i>                    |
| KRR070107                                   | <input type="radio"/> Tyre, pneumatic, slick, Schwalbe One  | <b>(L)</b>     |   |
| KRR070102                                   | <input type="radio"/> Tyre, puncture proof, tread   | <b>(+)</b>     |   |
| KRR070104                                   | <input type="checkbox"/> Tyre, pneumatic, puncture proof, tread, Schwalbe Marathon Plus Evolution | <b>(+)</b>     | 105   |
| KRR070101                                   | <input type="checkbox"/> Tyre, pneumatic, fine profile, Schwalbe Right Run                        |                | <i>(not in 25")</i> 131                               |
| <b>HANDRIMS</b>                             |   |                |   |
| KRR070201                                   | <input type="radio"/> Handrims, aluminium, powder-coated, clear                                   | <b>(L)</b>     |   |
| KRR070202                                   | <input type="radio"/> Handrims, aluminium, anodised, silver                                       | <b>(L)</b>     |   |
| KRR070203                                   | <input type="checkbox"/> Handrims, aluminium, powder-coated, coloured                             | <b>(L)</b>     | <i>(select colour on back pages, charged once)</i> 73 |
| KRR070212                                   | <input type="checkbox"/> Handrims, Ellipse 3R, black  | <b>(+)</b>     | <i>(ergonomic handrims with rubber-strip)</i> 215     |
| KRR070204                                   | <input type="checkbox"/> Handrims, stainless steel, silver  | <b>(+)</b>     | 131   |
| KRR070205                                   | <input type="checkbox"/> Handrims, titanium, untreated  |                | 224   |
| KRR070206                                   | <input type="checkbox"/> Handrims, titanium, powder-coated, clear                                 |                | 224   |
| KRR070207                                   | <input type="checkbox"/> Handrims, Supergrip®   | <b>(+)</b>     | 268   |
| KRR070208                                   | <input type="checkbox"/> Handrims, Maxgrepp®  | <b>(+)</b>     | <i>(only 24")</i> 268                                 |
| KRR070250                                   | <input type="checkbox"/> Handrim cover, rubber  |                | <i>(not with 25")</i> 109                             |
| <b>Hand rim mounting</b>                    |   |                |   |
| KRR070317                                   | <input checked="" type="radio"/> Handrim mount, narrow (17 mm)                                    |                |   |
| KRR070307                                   | <input type="radio"/> Handrim mount, super narrow (7 mm)  |                | <i>(only with stainless steel)</i>                    |
| KRR070327                                   | <input type="radio"/> Handrim mount, wide (27 mm)   |                |   |
| <b>WHEEL CAMBER</b>                         |   |                | <i>(choose only one option)</i>                       |
| KRR070049                                   | <input type="radio"/> 0° superlight, no width-adjustment  | <b>(1) (L)</b> |   |
| KRR070600                                   | <input type="radio"/> 0° width-adjustment +/-15mm   |                |   |
| KRR070603                                   | <input type="radio"/> 3° width-adjustment +/-15mm   |                |   |
| <b>WHEEL LOCKS</b> (Choose only one option) |   |                |   |
| KRR060003                                   | <input type="radio"/> Compact wheel lock  | <b>(2) (L)</b> |   |
| KRR060001                                   | <input type="radio"/> Standard wheel lock   |                |   |
| KRR060024                                   | <input type="checkbox"/> Lightweight compact brake EVO  |                | 174   |
| KRR060004                                   | <input type="checkbox"/> Lightweight Compact wheel lock   |                | 174   |
| KRR060002                                   | <input type="checkbox"/> Knee lever wheel lock  |                | 68  |
| KRR060010                                   | <input type="checkbox"/> Extension for knee lever wheel lock, slip-on, swing-away                 |                | <i>(only with KRR060002)</i> 46                       |
| KRR060006                                   | <input type="checkbox"/> One arm wheel lock (left hand actuation)                                 | <b>(+)</b>     | 183   |
| KRR060007                                   | <input type="checkbox"/> One arm wheel lock (right hand actuation)                                | <b>(+)</b>     | 183   |
| <b>ACCESSORIES</b>                          |   |                |   |
| KRR090000                                   | <input checked="" type="radio"/> Tool kit   |                |   |
| KRR090024                                   | <input checked="" type="radio"/> High pressure pump   |                |   |
| KRR090025                                   | <input type="checkbox"/> Air pump   |                | 26  |
| KRR090026                                   | <input type="checkbox"/> Mobile phone pocket  |                | 65  |
| KRR090030                                   | <input type="checkbox"/> Back pack  |                | 92  |
| (1):  | <b>Camber adapter glued into the axle-tube. No adjustment of the track-width possible.</b>        |                |   |
| (2):  | <b>Adjustment of COG ± 2 cm on a chair in the field.</b>  |                |   |
|   | <b>(L)= lightest option (+)= adds 500 g or more to the wheelchair-weight</b>                      |                |   |

## COLOURS FOR HANDRIMS

|                        | Handrim (1)<br>£73       | Hub/Rim<br>£262          |                            | Handrim (1)<br>£73       | Hub/Rim<br>£262          |
|------------------------|--------------------------|--------------------------|----------------------------|--------------------------|--------------------------|
| 02 Brilliant Silver    | <input type="checkbox"/> |                          | 27 Graphite metallic       | <input type="checkbox"/> |                          |
| 03 Silver Matt         | <input type="checkbox"/> |                          | 29 Black                   | <input type="checkbox"/> | <input type="checkbox"/> |
| 06 Sun Yellow          | <input type="checkbox"/> |                          | 31 Matt Black              | <input type="checkbox"/> | <input type="checkbox"/> |
| 14 Blue                | <input type="checkbox"/> | <input type="checkbox"/> | 32 Signal White            | <input type="checkbox"/> |                          |
| 15 Brilliant Marine    | <input type="checkbox"/> |                          | 33 Pink                    | <input type="checkbox"/> |                          |
| 16 Matt Marine         | <input type="checkbox"/> |                          | 34 Dark Chocolate Metallic | <input type="checkbox"/> |                          |
| 19 Brilliant Purple    | <input type="checkbox"/> |                          | 35 Skyblue                 | <input type="checkbox"/> |                          |
| 21 Red Ruby            | <input type="checkbox"/> |                          | 36 Cyan-Metallic           | <input type="checkbox"/> |                          |
| 22 Brilliant Red       | <input type="checkbox"/> | <input type="checkbox"/> | 37 Marsred (Orange)        | <input type="checkbox"/> |                          |
| 23 Matt Red            | <input type="checkbox"/> | <input type="checkbox"/> | 40 Kiwi                    | <input type="checkbox"/> |                          |
| 24 Tutti Frutti Orange | <input type="checkbox"/> |                          | 41 Flamingo-Glitter        | <input type="checkbox"/> |                          |
| 46 Mamba Green         | <input type="checkbox"/> |                          | 42 Matt-Anthracite         | <input type="checkbox"/> |                          |

## FRAME-COLOURS

(Not including axle or backrest)

|           |                       |                            |  |
|-----------|-----------------------|----------------------------|--|
| KRR100139 | <input type="radio"/> | Natural Carbon, no coating |  |
| KRR100137 | <input type="radio"/> | Transparent, gloss         |  |
| KRR100138 | <input type="radio"/> | Transparent, matt          |  |
| KRR100122 | <input type="radio"/> | Black (gloss)              |  |
| KRR100123 | <input type="radio"/> | Matt black                 |  |

## FRAME-GRAPHICS "Flying Pixel" (scratch resistant, non-removeable, includes the "Krypton" sticker)

|           |                          |                                     |    |
|-----------|--------------------------|-------------------------------------|----|
| KRR100590 | <input type="checkbox"/> | Frame graphics Flying Pixel, silver | 65 |
| KRR100591 | <input type="checkbox"/> | Frame graphics Flying Pixel, red    | 65 |
| KRR100592 | <input type="checkbox"/> | Frame graphics Flying Pixel, blue   | 65 |

## COLOUR STICKERS "QUICKIE" and "Krypton" (3)

|           |                       |        |  |
|-----------|-----------------------|--------|--|
| KRR100550 | <input type="radio"/> | Black  |  |
| KRR100551 | <input type="radio"/> | Silver |  |
| KRR100552 | <input type="radio"/> | Orange |  |
| KRR100553 | <input type="radio"/> | Red    |  |
| KRR100554 | <input type="radio"/> | Blue   |  |

## COLOURS FOR LIGHTWEIGHT WHEELS 24" (4)

|           |                       |  |  |
|-----------|-----------------------|--|--|
| KRR100336 | <input type="radio"/> | Rear wheel, lightweight anodised, orange (4) |  |
| KRR100337 | <input type="radio"/> | Rear wheel, lightweight anodised, blue (4)   |  |
| KRR100338 | <input type="radio"/> | Rear wheel, lightweight anodised, red (4)    |  |

## Comments for special build:



Krypton R - Base Price

£3,995

Option price

Total Price

(1) only with KRR070203, handrim aluminium, powder coated

(3) No choice possible when frame graphics "Flying Pixel" are chosen.

(4) Anodised colours for hub and rim, black spokes. Only with light weight wheel in 24"

## WEIGHT

We want to be very transparent on weight. The following information will be a guide to the lightest possible Krypton R: how to achieve a 6.2 kg wheelchair, and how to order the lightest possible configuration for your Krypton R

### Krypton R: 6.2 kg configuration Transport weight: 3.7 kg

**Frame:** high frame, 92°, 30 mm inset, seat width: 360 mm, seat depth: 400 mm. Seat height: front 470 mm, rear 420 mm. Seat-sling Airflow superlight.

**Wheel-lock :** lightweight compact wheel-lock

**Footrest:** tubular footrest



**Backrest:** Carbon backrest, EXO superlight backrest-upholstery, without push-handles

**Sideguards:** Carbon fibre, slim-style

**Rear wheels:** 24" Proton wheels with Aluminium handrims (coated or anodized) and Schwalbe One tyres

**Forks and castors:** 111 mm carbotechnology fork, 3" castor

Please mind that there is a 5% tolerance on all weight specifications due to weight deviations on mounting parts (tyres, castor-wheels etc.)

## LIGHTWEIGHT-GUIDE FOR ORDERING THE KRYPTON R

Sunrise Medical offers a wide variety of options for the Krypton R to suit every user's needs. However, most options add significant weight to the wheelchair. To make this more transparent when filling in the order-form, and to assist you in ordering the lightest possible wheelchair, we indicate the approximate weight-increase of the options on the order form:

- (L)** indicates the lightest possible option within the range of options
- (+)** indicates that this option adds more than 500 g to the wheelchair's weight compared to the lightest option within the range

## LIGHTWEIGHT OPTIONS FOR THE KRYPTON R

We developed several options for the Krypton R to save weight on the chair without sacrificing daily-use suitability, comfort or durability



**Carbon backrest (KRR030006):** full carbon backrest with very close cross-tube (20mm crosstube to backrest-upholstery) (-100 g compared to Standard backrest)



**Seat sling "airflow" superlight (KRR020019):** fully adjustable seat-sling with composite buckles and lighter straps (max. user weight 85 kg) (-100 g compared to seat sling "airflow")



**EXO superlight (KRR030005):** lightweight version of the EXO backrest upholstery. EVA-foam padding, adjustable straps, wider cut of the upholstery to cover backrest tubes. (-160 g compared to Std. EXO backrest-upholstery)



**Axle-plug superlight (KRR070049):** (only 0° camber): glued into the axle-tube, no adjustability of the track-width possible (-160 g compared to width-adjustable axle-plug KRR070600 / 603)

**Please follow this measuring method:**

The following method is recommended on the basis of extensive practical experience. Deviations are possible in individual instances.

**Seat width (SW):**

- a) *For the user:* Allow space between sideguard and hip on each side of the chair (approx. 10 - 20 mm altogether)
- b) *On the wheelchair:* From outside frame tube to outside frame tube.

**Seat depth (SD):**

- a) *For the user:* When sitting upright: leave space for 2 - 3 fingers between front edge of the seat upholstery and back of knee (approx. 30 - 60 mm). Care must be taken with adj. upholstery.
- b) *On the wheelchair:* From back tube to front of seat upholstery.

**Front seat height:**

- a) *For the user:* When sitting with 90° knee angle: From back of knee to bottom of shoe sole.
- b) *On the wheelchair:* From front of seat tube to the ground. (min. 30 mm longer than user measurement) Remember to include the cushion height.

**Rear seat height:**

- b) *On the wheelchair:* From back of seat tube to the ground.  
**Note:** Max. seat height difference rear to front is 130 mm

**Back height:**

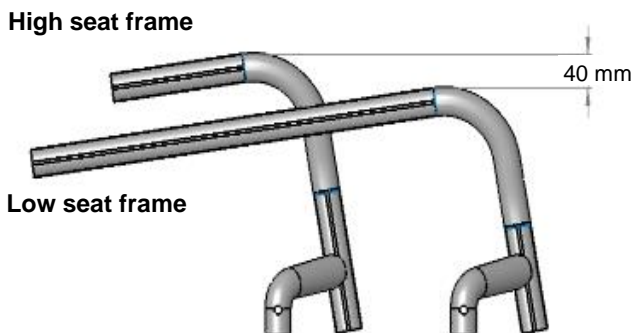
- a) *For the user:* From the seat, including cushion, to be no more than 10 - 20 mm below the lower shoulder blade.
- b) *On the wheelchair:* From back of seat tube to upper edge of backrest upholstery.  
**Note:** The user's ability to sit upright has a major influence on the back height and it can therefore differ considerably

**Back angle:**

**Important:** The back height depends on the degree of disability. 0° is the angle 90° to the seat. Negative angles are <90° and positive angles are >90°.

**Low Seat Frame vs. High Seat Frame:**

The high frame is 40 mm higher than the low frame. So you can choose shorter and lighter forks to minimise the weight of your wheelchair.



**Technical Data Overview:**

|                                 |             |                            |                |                       |                       |
|---------------------------------|-------------|----------------------------|----------------|-----------------------|-----------------------|
| <b>Max. overall height:</b>     | 950 mm      | <b>Max. overall width:</b> | <b>Camber</b>  | <b>24" rear wheel</b> | <b>25" rear wheel</b> |
| <b>Max. overall length:</b>     | 930 mm      |                            | For 0° camber: | SW + 170 mm           | SW + 170 mm           |
| <b>Max. turning circle:</b>     | 700 mm      |                            | For 3° camber: | SW + 230 mm           | SW + 240 mm           |
| <b>Max. safe slope:</b>         | 7°          |                            |                |                       |                       |
| <b>Wheelchair weight:</b>       | from 6.2 kg |                            |                |                       |                       |
| <b>Dismantled weight:</b>       | from 3.7 kg |                            |                |                       |                       |
| <b>Weight of heaviest part:</b> | 2.1 kg      |                            |                |                       |                       |

All changes in the configuration might change the seat heights.  
Manufacturing tolerances are +/- 10 mm for all measurements.

## SEAT UPHOLSTERIES AND CUSHIONS



*KRR020012 Seat sling, airflow*



*KRR020019 Seat sling, airflow, superlight*

## BACKREST



*KRR030006 Carbon Backrest*



*KRR030102 Backrest, angle-adjustable, lock when folded*



*KRR030201 Push handles long*



*KRR030203 Push handles, fold-down*



*KRR030204 Push handles, height-adjustable*



*KRR030316 EXO backrest sling*

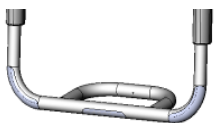


*KRR030317 EXO PRO backrest sling*



*KRR030005 EXO superlight backrest sling*

## FOOTREST AND FOOTPLATES



*KRR050029 Tubular footrest lightweight*



*KRR050025 Platform footrest LW composite plate*



*KRR050026 Platform footrest LW carbon plate*



*KRR050125 Performance footrest alu angle adj*



*KRR050127 Foot positioning plate*

## SIDEGUARD & ARMREST



KRR040101 Slim style sideguard



KRR040104 Carbon fibre, cold weather protection, fender



KRR040107 Sideguard, composite, removable (black)



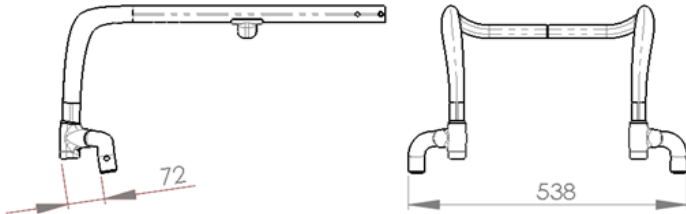
KRR040117 Tubular armrest, swing away,



KRR040052 Single-post sideguard, armrest (33 cm)

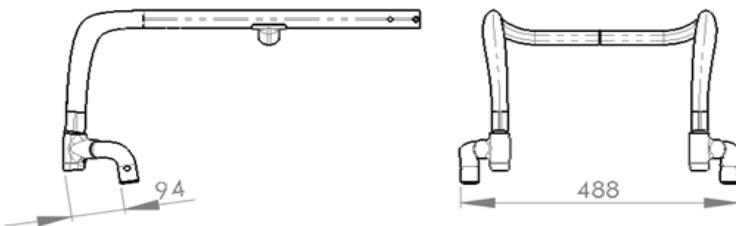
## FRAME VERSIONS: CASTOR HOUSE POSITIONS

### Position wide:



Further to the front and wider position of the castors for optimised rolling resistance

### Position narrow:



20 mm further rearwards and 20 mm per side more narrow position of the castors for a more narrow front-end and improved manoeuvrability in tight spaces



KRR010301 Castor house position wide



KRR010302 Castor house position narrow



Castor house position wide vs. narrow

## FRAME ACCESSORIES



KRR090032  
Suspension



KRR090001  
Tip assist



KRR090004  
Anti-tip tubes SA



KRR090007  
Quickie style anti tip tubes pluggable



KRR090033  
Anti tip flip up (user operated)



KRR090010  
Transit Wheels



KRR090010  
Frame protection, Plastic, glued to the frame, black

## FORKS



KRR080013 & KRR080306  
Castor fork, Carbotecture & Castor solid (soft) aluminum



KRR080008  
Castor fork, aluminum, one-arm, red

## REAR WHEELS & HANDRIMS



KRR070001



KRR070002



KRR070003  
Lightweight wheel



KRR070004  
Proton wheel



KRR070211  
Handrims Surge®



KRR070208  
Handrims Maxgrepp

## TYRES



KRR070101  
Schwalbe Right Run



KRR070107  
Schwalbe One



KRR070104  
Schwalbe Marathon Plus



KRR070102  
Tyre, puncture proof

## WHEEL LOCKS



KRR060001  
Standard brake



KRR060002  
Knee lever brake



KRR060003  
Compact brake



KRR060004  
Lightweight Compact brake

## FRAME COLOURS



1. *Transparent, gloss*
2. *Transparent, matt*
3. *Black, gloss*
4. *Black, matt*

## FRAME GRAPHIC "FLYING PIXELS"



**From left to right:**

- *Frame graphics Flying Pixel, red*
- *Frame graphics Flying Pixel, silver*
- *Frame graphics Flying Pixel, blue*

## 24 " LIGHT WEIGHT WHEEL COLOURS



*KRR100336  
Lightweight wheel, anodized orange*



*KRR100337  
Lightweight wheel, anodized blue*



*KRR100338  
Lightweight wheel, anodized red*